

Portable Generator Owner's Manual Manual del Propietario

WH3250 Series
WH4500 Series
WH5500 Series
WH6000 Series
WH6500E
WH7000 Series
WH7500E Series



Westinghouse

INNOVATION YOU CAN BE SURE OF

**California
Proposition 65 Warning**

The engine exhaust from this product contains chemicals known to the state of California to cause cancer, birth defects or other reproductive harm.

**California
Proposition 65 Warning**

Certain components in this product and its related accessories contain chemicals known to the state of California to cause cancer, birth defects or other reproductive harm. Wash hands after handling.

DISCLAIMERS:

All information, illustrations and specifications in this manual are based on the latest information available at the time of publishing. The illustrations used in this manual are intended as representative reference views only. Moreover, because of our continuous product improvement policy, we may modify information, illustrations and/or specifications to explain and/or exemplify a product, service or maintenance improvement. We reserve the right to make any change at any time without notice.

ALL RIGHTS RESERVED:

No part of this publication may be reproduced or used in any form by any means – graphic, electronic or mechanical, including photocopying, recording, taping or information storage and retrieval systems – without the written permission of Westpro Power Systems, LLC.

CONGRATULATIONS ON OWNING A WESTINGHOUSE GENERATOR



This manual contains important instructions for operating this generator. For your safety and the safety of others, be sure to read this manual thoroughly before operating the generator. Failure to properly follow all instructions and precautions can cause you and others to be seriously hurt or killed.

For Your Records:

Date of Purchase: _____ Generator Model Number: _____

Purchased from Store/Dealer: _____ Generator Serial Number: _____

Purchase Receipt: (retain your purchase receipt to ensure trouble-free warranty coverage)

Product Registration

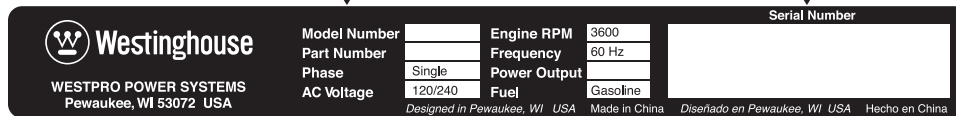
To ensure trouble-free warranty coverage, it is important you register your Westinghouse generator. You can register your generator by either:

- Filling in the product registration form below and mailing to:
 Product Registration
 Westpro Power Systems, LLC
 W237 N2889 Woodgate Road, Unit B
 Pewaukee, WI 53072
- Registering your product online at www.westpropower.com

To register your generator you will need to locate the following information:

Model Number

Serial Number



Product Registration Form

PERSONAL INFORMATION

First Name: _____
 Last Name: _____
 Street Address: _____
 Street Address: _____
 City, State, ZIP: _____
 Country: _____
 Phone Number: _____
 E-Mail: _____

GENERATOR INFORMATION

Model Number: _____
 Serial Number: _____
 Date Purchased: _____
 Purchased From: _____

MODEL NUMBER REFERENCE

EPA (49 States)

WH3250
WH4500
WH5500
WH6000
WH6000S
WH6500E
WH7000
WH7000E
WH7500E

EPA (49 States) and CARB (50 States)

WH3250
WH5500
WH7000E
WH7500E

CSA (Canada)

WHC6500
WHC6000S
WHC6500E
WHC7000EGC

Suffix:

E – Electric Start
S – Storm Unit
C – CARB Unit
GC – Generator Cord

Prefix:

WHC – CSA Certified

TABLE OF CONTENTS

CONGRATULATIONS ON OWNING A WESTINGHOUSE GENERATOR	3
For Your Records:	3
Product Registration	3
Product Registration Form	3
MODEL NUMBER REFERENCE	4
SAFETY	7
SAFETY DEFINITIONS	7
SAFETY SYMBOL DEFINITIONS	7
GENERAL SAFETY RULES	8
SAFETY LABELS AND DECALS	10
UNPACKING	12
UNPACKING THE GENERATOR	12
WHEEL KIT ACCESSORIES BOX	12
Components:	12
ASSEMBLY	13
ASSEMBLY	13
INSTALLING THE BATTERY (ELECTRIC START GENERATORS ONLY)	15
FEATURES	16
GENERAL GENERATOR FEATURES	16
CONTROL PANEL FEATURES	18
OPERATION	19
BEFORE STARTING THE GENERATOR	19
POWER CORD	20
Using Extension Cords	20
Using Westinghouse Power Cord	21
TRANSFER SWITCH CONNECTIONS	21
ADDING / CHECKING ENGINE FLUIDS AND FUEL	22
Checking and / or Adding Engine Oil	22
Adding Gasoline to the Fuel Tank	22
STARTING THE GENERATOR	23
Manually Starting a Generator	23
Starting an Electric Start Generator	25
STOPPING THE GENERATOR	26
Normal Operation	26
During an Emergency	26
MAINTENANCE	27
MAINTENANCE	27
Maintenance Schedule	27
ENGINE OIL MAINTENANCE	28
Engine Oil Specification	28
Checking Engine Oil	28
Adding Engine Oil	29
Changing Engine Oil	29
AIR FILTER MAINTENANCE	29
Cleaning the Air Filter	29
SPARK PLUG MAINTENANCE	32
BATTERY SERVICE	33
Battery Replacement	33
CLEANING THE SPARK ARRESTOR	34
CLEANING THE GENERATOR	35
STORAGE	36
TROUBLESHOOTING	37
TROUBLESHOOTING	37
WARRANTY	39
WESTPRO POWER SYSTEMS “THREE YEAR” LIMITED WARRANTY	39
WESTPRO’S RESPONSIBILITY	39
OWNER’S RESPONSIBILITY	39

TABLE OF CONTENTS

PRODUCT WARRANTY APPLICATIONS AND PRODUCT WARRANTY PERIODS 39
 CONSUMER APPLICATION 39
 COMMERCIAL APPLICATION 39
 NON-WARRANTABLE APPLICATIONS 40
 EXCLUSIONS 40
DISCLAIMER OF IMPLIED WARRANTIES..... 40



SAFETY DEFINITIONS

The words DANGER, WARNING, CAUTION and NOTICE are used throughout this manual to highlight important information. Be certain that the meanings of these alerts are known to all who work on or near the equipment.



This safety alert symbol appears with most safety statements. It means attention, become alert, your safety is involved! Please read and abide by the message that follows the safety alert symbol.

DANGER

Indicates a hazardous situation which, if not avoided, *will* result in death or serious injury.

WARNING

Indicates a hazardous situation which, if not avoided, *could* result in death or serious injury.

CAUTION

Indicates a hazardous situation which, if not avoided, *could* result in minor or moderate injury.

NOTICE

Indicates a situation which can cause damage to the generator, personal property and/or the environment, or cause the equipment to operate improperly.

NOTE: Indicates a procedure, practice or condition that should be followed in order for the generator to function in the manner intended.

SAFETY SYMBOL DEFINITIONS

Symbol	Description
	Safety Alert Symbol
	Asphyxiation Hazard
	Burn Hazard
	Burst/Pressure Hazard
	Don't leave tools in the area
	Electrical Shock Hazard
	Explosion Hazard
	Fire Hazard
	Lifting Hazard
	Pinch-Point Hazard
	Read Manufacturer's Instructions
	Read Safety Messages Before Proceeding
	Wear Personal Protective Equipment (PPE)

SAFETY

GENERAL SAFETY RULES

DANGER



Never use the generator in a location that is wet or damp. Never expose the generator to rain, snow, water spray or standing water while in use. Protect the generator from all hazardous weather conditions. Moisture or ice can cause a short circuit or other malfunction in the electrical circuit.



Never operate the generator in an enclosed area. Engine exhaust contains carbon monoxide. Only operate the generator outside and away from windows, doors and vents.

WARNING



Voltage produced by the generator could result in death or serious injury.

- Never operate the generator in rain or a floodplain unless proper precautions are taken to avoid being subject to rain or a flood.
- Never use worn or damaged extension cords.
- Always have a licensed electrician connect the generator to the utility circuit.
- Never touch an operating generator if the generator is wet or if you have wet hands.
- Never operate the generator in highly conductive areas such as around metal decking or steel works.
- Always use grounded extension cords. Always use three-wire or double-insulated power tools.
- Never touch live terminals or bare wires while the generator is operating.
- Be sure the generator is properly grounded before operating.

WARNING



Gasoline and gasoline vapors are extremely flammable and explosive under certain conditions.



- Always refuel the generator outdoors, in a well-ventilated area.
- Never remove the fuel cap with the engine running.
- Never refuel the generator while the engine is running. Always turn engine off and allow the generator to cool before refueling.
- Only fill fuel tank with gasoline.
- Keep sparks, open flames or other form of ignition (such as match, cigarette, static electric source) away when refueling.
- Never overfill the fuel tank. Leave room for fuel to expand. Overfilling the fuel tank can result in a sudden overflow of gasoline and result in spilled gasoline coming in contact with HOT surfaces. Spilled fuel can ignite. If fuel is spilled on the generator, wipe up any spills immediately. Dispose of rag properly. Allow area of spilled fuel to dry before operating the generator.
- Wear eye protection while refueling.
- Never use gasoline as a cleaning agent.
- Store any containers containing gasoline in a well-ventilated area, away from any combustibles or source of ignition.
- Check for fuel leaks after refueling. Never operate the engine if a fuel leak is discovered.

WARNING



Never operate the generator if powered items overheat, electrical output drops, there is sparking, flames or smoke coming from the generator, or if the receptacles are damaged.



Never use the generator to power medical support equipment.



Always remove any tools or other service equipment used during maintenance from the generator before operating.

NOTICE

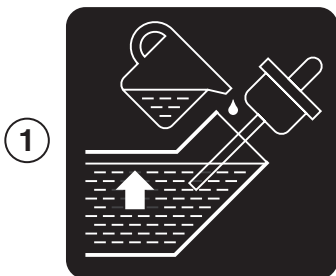
Never modify the generator.

Never operate the generator if it vibrates at high levels, if engine speed changes greatly or if the engine misfires often.

Always disconnect tools or appliances from the generator before starting.

SAFETY

SAFETY LABELS AND DECALS



1

⚠ DANGER		⚠ PELIGRO	
USING A GENERATOR INDOORS CAN KILL YOU IN MINUTES. GENERATOR EXHAUST CONTAINS CARBON MONOXIDE. THIS IS A POISON YOU CANNOT SEE OR SMELL.		USAR EL GENERADOR EN INTERIORES LO PUEDE MATAR EN MINUTOS. EL ESCAPE DEL GENERADOR CONTIENE MONÓXIDO DE CARBONO. ESTE GAS ES UN VENENO QUE NO SE PUEDE VER NI OLER.	
NEVER USE INSIDE A HOME OR GARAGE, EVEN IF DOORS AND WINDOWS ARE OPEN.	ONLY USE OUTSIDE AND FAR AWAY FROM WINDOWS, DOORS, AND VENTS.	NUNCA USE EL GENERADOR DENTRO DEL HOGAR O EL GARAJE, AUN SI LAS PUERTAS Y VENTANAS ESTÁN ABIERTAS. SOLO USELO EN EXTERIORES Y LEJOS DE VENTILACIONES PUERTAS Y VENTANAS ABIERTAS.	

2

Westinghouse	Model Number	Engine RPM	3600	Serial Number	
	Part Number	Frequency	60 Hz		
WESTPRO POWER SYSTEMS Pewaukee, WI 53072 USA	Phase	Power Output			
	AC Voltage	Fuel	Gasoline		
		Designed in Pewaukee, WI USA	Made in China	Diseñado en Pewaukee, WI USA	Hecho en China



3

⚠ WARNING		⚠ ADVERTENCIA

Figure 1



1

⚠ WARNING		⚠ ADVERTENCIA
↓		↓
HOT SURFACES		SUPERFICIES CALIENTES

2

⚠ WARNING	
⚠ ADVERTENCIA	

3

⚠ DANGER	⚠ PELIGRO
<p>Read the owner's manual and follow all safety procedures prior to operating the generator. Failure to follow these instructions may lead to serious injury, property damage or death. Never add fuel to generator when the engine is hot or running. Never allow fuel to come in contact with running engine or hot generator parts. Always allow engine to cool down before adding fuel. Never touch hot surfaces. Generators pose risk of shock especially if operated in damp or wet conditions. Keep generator and stored fuel away from fire, sparks and cigarettes. Never connect to a building's electrical system unless a transfer switch has been installed by a certified electrician.</p>	<p>Lea el manual del propietario y siga todos los procedimientos de seguridad antes de hacer funcionar el generador. El incumplimiento de estas instrucciones puede causar lesiones graves, daños a la propiedad o la muerte. Nunca agregue combustible al generador cuando el motor está caliente o en marcha. Nunca permita que el combustible entre en contacto con el motor en marcha o partes calientes del generador. Siempre permita que el motor se enfríe antes de agregar combustible. Nunca toque las superficies calientes. Generadores presentan un riesgo de choque especialmente en caso de operar en condiciones húmedas o mojadas. Mantenga el generador y se almacena el combustible alejado del fuego, chispas o cigarrillos. Nunca conecte al sistema eléctrico de un edificio a menos que un interruptor de transferencia ha sido instalado por un electricista certificado.</p>

4

MAINTAIN AIR CLEANER	MANTENGA EL FILTRO DE AIRE	
<p>Rinse with cleansing solvent and dry once every 50 hours (every 10 hours if operating in dusty conditions) and then coat with clean engine oil. Squeeze out excessive oil.</p>	<p>Limpíelo según las instrucciones en el manual del usuario y séquelo una vez cada 50 horas (o cada 10 horas en condiciones cuando haya mucho polvo) luego cubra en aceite de motor limpio hasta saturado, exprima el exceso de aceite.</p>	

5

⚠ WARNING	⚠ ADVERTENCIA
<p>The engine exhaust from this product contains chemicals known to the State of California to cause cancer, birth defects or other reproductive harm.</p>	<p>El escape del motor de este producto contiene químicos que el Estado de California considera como posibles causas de cáncer, defectos de nacimiento u otros daños reproductivos.</p>

Figure 2

UNPACKING

UNPACKING THE GENERATOR

CAUTION



Always have assistance when lifting the generator. The generator is heavy; lifting it could cause bodily harm.



Avoid cutting on or near staples to prevent personal injury.

Tools required – box cutter or similar device.

1. Carefully cut the packing tape on top of the carton.
2. Fold back top flaps to reveal the manual.
3. Remove the Wheel Kit Accessories cardboard box.
4. Carefully cut two sides of the carton to remove the generator.

WHEEL KIT ACCESSORIES BOX

Open the Wheel Kit Accessories box and verify the contents against the list below. If any parts are missing, please locate an authorized Westinghouse Generator dealer at www.westpropower.com or call 1-855-WHHELP1 (1-855-944-3571).

Components:

Wheels (2)	One Liter Bottle of SAE 10W30 Oil (1)
Handles with Grips (2)	Mounting Foot (1)
Tool Bag (1)	Oil Funnel (1)
Spark Plug Socket	Power Cord – if equipped
Wrench (1)	
One 0.6 Liter Bottle of SAE 10W30 Oil (1) (WH3250 Model)	

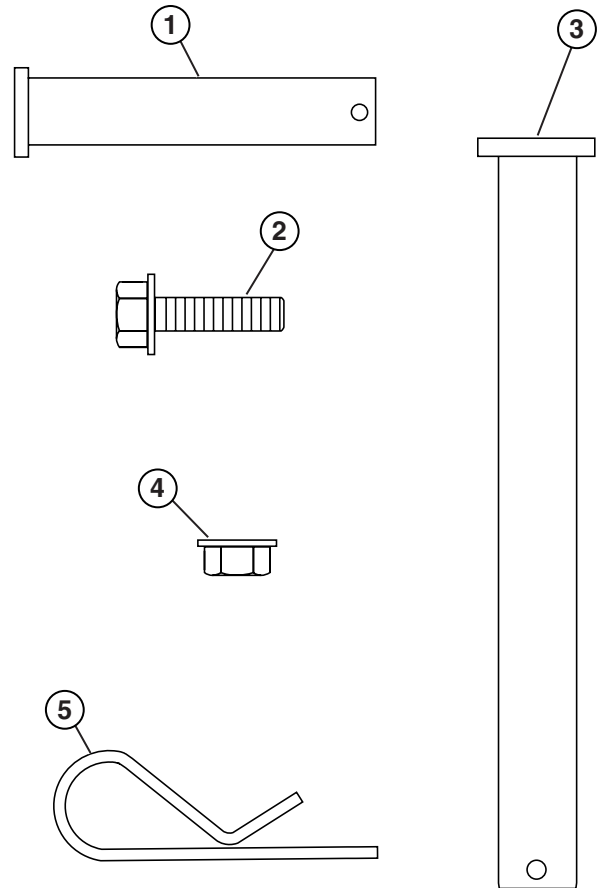


Figure 3 – Wheel Kit Hardware for Serial Number

- | | |
|--|---------------------------------------|
| 1 - Clevis Pin
50 x 10 mm
(2 used) | 4 - Locking Flange
Nut M8 (2 used) |
| 2 - Flange Bolt
M8 x 18 mm
(2 used) | 5 - Hairpin Cotter
(4 used) |
| 3 - Wheel Axle Pin
16 mm x 105 mm
(2 used) | |

ASSEMBLY



Before assembling the generator, review *Safety on page 7* and the following safety messages.

⚠ CAUTION



Never lift the generator without assistance. The generator is heavy and lifting without assistance could result in personal injury.



Never use the handles as a lifting point to support the entire weight of the generator. Only use the handles to move the generator by lifting the handles and using the wheels to move the generator.



Use caution when collapsing the handles. Hands and fingers could get caught and pinched.

NOTICE

Assembling the generator will require lifting the unit on one side. Make sure all engine oil and fuel are drained from the unit prior to assembling.

Once assembled, the wheel kit is not intended for on-road use. The wheel kit is designed for use on this generator only.

Tools required – tool bag (included).

1. Place generator on a flat surface.
2. Place a piece of cardboard or other soft material to tip the generator onto, to protect the frame paint and prevent the generator from sliding. Tip the generator onto its side as shown in *Figure 4* (engine should be on the bottom).



Figure 4 – Tip the Generator onto its Side

ASSEMBLY

3. Install the mounting foot to the frame using M8 flange bolts and nuts.

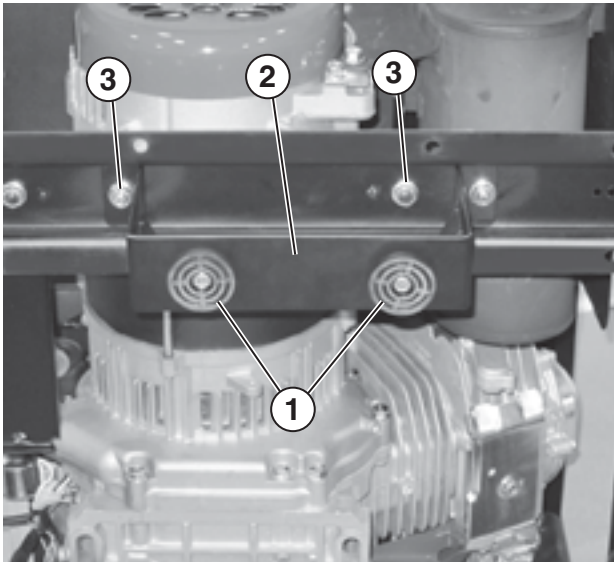


Figure 5 – Assemble Mounting Foot to Frame

- | | |
|-------------------|----------------------------|
| 1 - Rubber Pads | 3 - M8 Flange Bolt and Nut |
| 2 - Mounting Foot | |

4. Install the 16 mm x 105 mm axle pin through the axle bracket on the frame.
5. Install the hairpin cotter through the axle pin.



Figure 6 – Assemble Wheels to Frame

- | | |
|--------------|--------------------|
| 1 - Axle Pin | 2 - Hairpin Cotter |
|--------------|--------------------|

6. Install the handles using the clevis pin and hairpin cotter as shown in Figure 7.

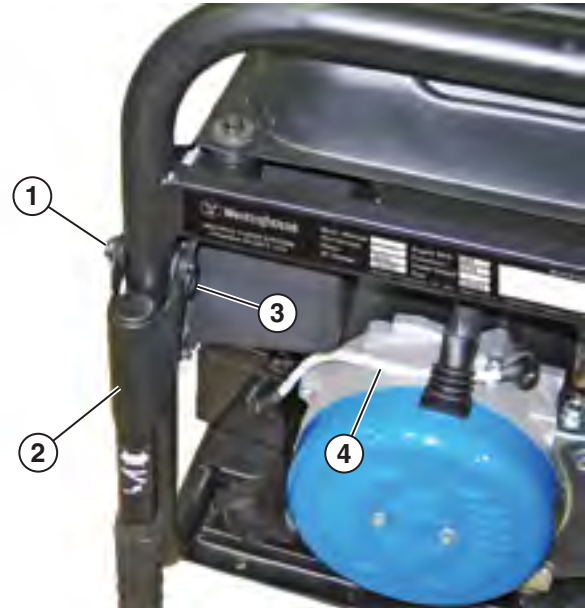


Figure 7 – Attaching the Handles

- | | |
|----------------|----------------------------|
| 1 - Clevis Pin | 3 - Hairpin Cotter |
| 2 - Handle | 4 - Negative Battery Cable |

INSTALLING THE BATTERY (ELECTRIC START GENERATORS ONLY)

WARNING



To avoid electric shock:

- ALWAYS connect the positive (+) battery cable (red boot) first when connecting battery cables.
- ALWAYS disconnect the negative (-) battery cable (black boot) first when disconnecting battery cables.
- NEVER connect the negative (-) battery cable (black boot) to the positive (+) post on the battery.
- NEVER connect the positive (+) battery cable (red boot) to the negative (-) post on the battery.
- NEVER touch both battery posts simultaneously.
- NEVER place a metal tool across both battery posts.
- ALWAYS use insulated or non-conducting tools when installing the battery.

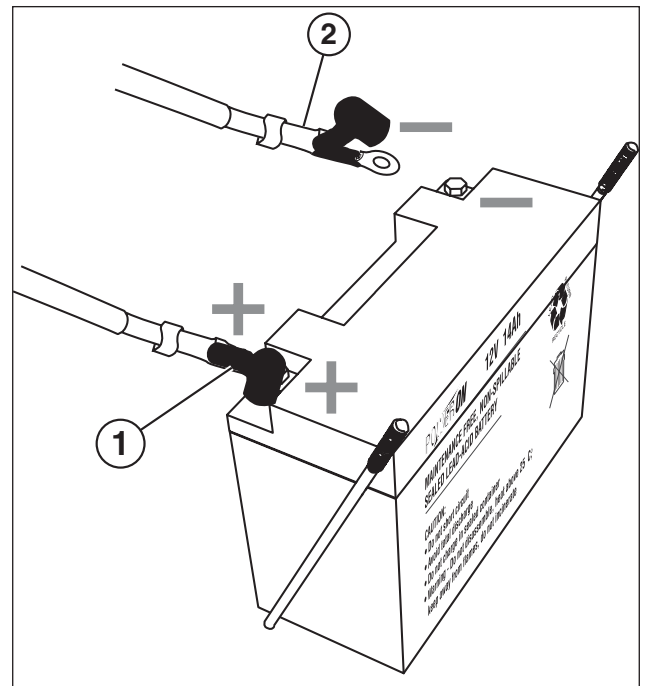


Figure 8 – Attaching the Negative (-) Battery Cable (Black)

1 - Positive (+)
Battery Cable
(Red)

2 - Negative (-)
Battery Cable
(Black)

NOTE: The generator comes equipped with the positive battery cable (red boot) already attached.

1. Verify the positive (+) battery cable (red boot) is securely tightened to the positive (+) battery post. Make sure boot is over battery post.
2. Carefully remove the protective wrapping around the lug of the negative (-) battery cable (black boot).
3. Locate negative (-) cable attached to alternator cable, remove tie and route to the negative (-) battery post.
4. Pull back the black boot and securely attach the negative (-) battery cable (black boot) to the negative (-) battery post as shown in *Figure 8*. Replace the black boot so it protects the cable lug and battery post.

FEATURES

GENERAL GENERATOR FEATURES



Figure 9

- 1 - **Engine Control Switch:** Turns the engine on and off.
- 2 - **Fuel Cap:** Close until clicking sound is heard.
- 3 - **Control Panel:** Contains the circuit breakers and outlets.
- 4 - **Muffler and Spark Arrester:** Avoid contact until engine is cooled down. Spark arrester prevents sparks from exiting the muffler. It must be removed for servicing.
- 5 - **Battery:** For electric start models only.
- 6 - **Oil Fill Plug/Dipstick:** Must be removed to add and check oil.
- 7 - **Oil Drain Plug:** Must be removed to drain engine oil.



Figure 10

- 1 - **Fuel Gauge:** Indicates fuel level.
- 2 - **Fuel Shutoff Valve:** Controls the flow of fuel to the engine.
- 3 - **Recoil Handle:** Must pull to start engine for manual start units.
- 4 - **Air Cleaner Cover:** Must remove to service the air cleaner.
- 5 - **Choke Lever:** Must be put in the **ON** position to start the engine and returned to the **OFF** position once the engine is running.
- 6 - **CARB Canister:** Model numbers followed by a "C" will be equipped with a carbon canister.
- 7 - **Spark Plug Boot (Wire):** Must be removed when servicing the engine or the spark plug.

FEATURES

CONTROL PANEL FEATURES

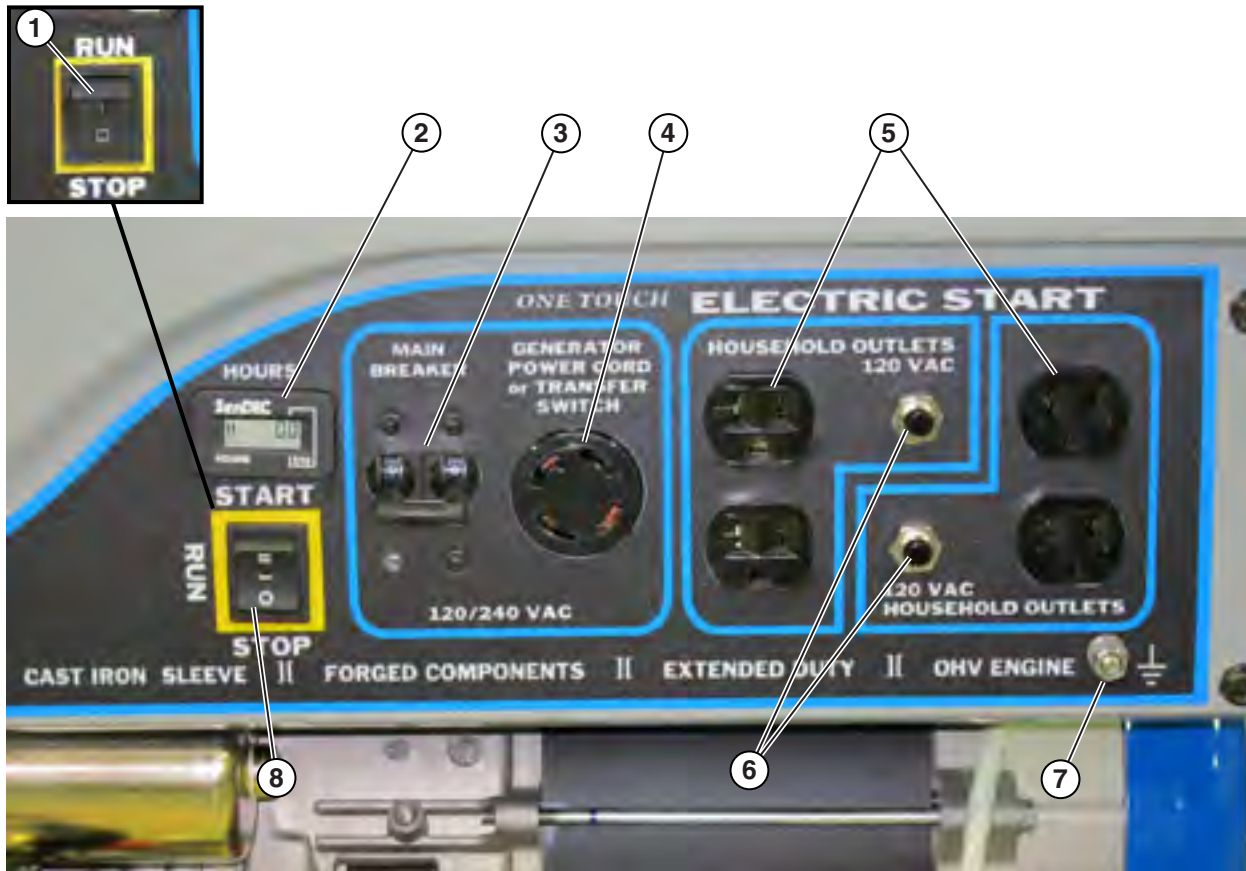


Figure 11 – Control Panel Features

- 1. Engine Control Switch (RUN/STOP for Manual Start Units):**
 - **RUN** - In the **RUN** position, the switch allows the generator to be started (for manual start models).
 - **STOP** - In the **STOP** position, the switch stops the engine.
- 2. Hour Meter:** Displays how many hours the generator has been run when under load.
- 3. Main Circuit Breaker:** The main circuit breaker controls total output of all outlets to protect the generator.
- 4. 120/240-Volt, 30-Amp Twist Lock Outlet (NEMA L14-30R):** Outlet can supply either 120V or 240V output.
- 5. 120-Volt, 20-Amp Duplex Outlets (NEMA 5-20R):** Each outlet is capable of carrying a maximum of 20 amps on a single receptacle or a combination of both receptacles.
- 6. 20-Amp Circuit Breakers:** Each circuit breaker limits the current that can be delivered through the 120-volt duplex outlets to 20 amps.
- 7. Ground Terminal:** The ground terminal is used to ground the generator.
- 8. Engine Control Switch (START/RUN/STOP for Electric Start Units):**
 - **START** - When the switch is momentarily depressed and held in the **START** position, the electric start motor engages and starts the engine. Once the engine starts, release the switch. (The switch will automatically go to the **RUN** position.)
 - **RUN** - Once started, the switch will remain in the **RUN** position.
 - **STOP** - To stop the engine, move the switch to the **STOP** position.

BEFORE STARTING THE GENERATOR



Before starting the generator, review Safety on page 7.

Location Selection – Before starting the generator, avoid exhaust and location hazards by verifying:

- You have selected a location to operate the generator that is outdoors and well ventilated.
- You have selected a location with a level and solid surface on which to place the generator.
- You have selected a location that is at least 6 feet (1.8 m) away from any building, other equipment or combustible material.
- If the generator is located close to a building, make sure it is not located near any windows, doors and/or vents.

⚠ DANGER		⚠ PELIGRO	
USING A GENERATOR INDOORS CAN KILL YOU IN MINUTES. GENERATOR EXHAUST CONTAINS CARBON MONOXIDE. THIS IS A POISON YOU CANNOT SEE OR SMELL.		USAR EL GENERADOR EN INTERIORES LO PUEDE MATAR EN MINUTOS. EL ESCAPE DEL GENERADOR CONTIENE MONOXIDO DE CARBONO. ESTE GAS ES UN VENENO QUE NO SE PUEDE VER NI OLER.	
NEVER USE INSIDE A HOME OR GARAGE, EVEN IF DOORS AND WINDOWS ARE OPEN.	ONLY USE OUTSIDE AND FAR AWAY FROM WINDOWS, DOORS, AND VENTS.	NUNCA USE EL GENERADOR DENTRO DEL HOGAR O EL GARAJE, AUN SI LAS PUERTAS Y VENTANAS ESTÁN ABIERTAS. SOLO ÚSELO EN EXTERIORES Y LEJOS DE VENTILACIONES, PUERTAS Y VENTANAS ABIERTAS.	

⚠ WARNING



Always operate the generator on a level surface. Placing the generator on non-level surfaces can cause the generator to tip over, causing fuel and oil to spill. Spilled fuel can ignite if it comes in contact with an ignition source such as a very hot surface.

NOTICE

Only operate the generator on a solid, level surface. Operating the generator on a surface with loose material such as sand or grass clippings can cause debris to be ingested by the generator that could:

- Block cooling vents
- Block air intake system

Weather – Never operate your generator outdoors during rain, snow or any combination of weather conditions that could lead to moisture collecting on, in or around the generator.

Dry Surface – Always operate the generator on a dry surface free of any moisture.

No Connected Loads – Make sure the generator has no connected loads before starting it. To ensure there are no connected loads, unplug any electrical extension cords that are plugged into the control panel receptacles.

NOTICE

Starting the generator with loads already applied to it could result in damage to any appliance being powered off the generator during the brief start-up period.

Grounding the Generator – The National Electric Code (NEC), as well as many local electrical codes, require the generator to be connected to earth ground before operating. Before starting the generator, make sure it is connected to earth ground by connecting the ground terminal on the control panel (see Figure 12) to earth ground using copper wire (minimum 10 AWG). Consult a qualified electrician for local grounding requirements.



Figure 12 – Ground Terminal on the Control Panel

OPERATION

WARNING



Be sure the generator is properly connected to earth ground before operating. The generator must be grounded to prevent electrical shock due to faulty appliances.

POWER CORD

Using Extension Cords

Westpro Power Systems assumes no responsibility for the content within this table. The use of this table is the responsibility of the user only. This table is intended for reference only. The results produced by using this table are not guaranteed to be correct or applicable in all situations as the type and construction of cords are highly variable. Always check with local regulations and a licensed electrician prior to installing or connecting an electrical appliance.

Extension Cord Wire Gauge Size

AMPS	LENGTH OF EXTENSION CORD (ft)								
	10	20	30	40	50	60	80	100	120
5	20	18	16	14	12	12	10	10	8
10	18	16	14	12	12	10	10	8	8
15	16	14	12	12	10	10	8	8	6
20	14	12	12	10	10	8	8	6	6
25	12	12	10	10	8	8	6	6	6
30	12	10	10	8	8	6	6	6	6
35	10	10	8	8	6	6	6	6	6

Using Westinghouse Power Cord

Use the extension cord chart to determine the size of the conductor for extension cord applications. Determine the distance of the generator to the appliance on the top line of the chart. Then select the rated amperage of the generator on the left side of the chart. Where the two meet is the size of the conductor required for the application.

The WCG25 power cord is connected to the generator at the 120/240 plug. The opposite end of the power cord is a fan tail receptacle with 2 green receptacles and 2 red receptacles. Each receptacle is rated at 120 volts AC. To balance the load on the generator's alternator, use the red and green identifiers on the fan tail receptacle. To keep the load balanced, connect the loads so that both color receptacles are used. An example is one in red and one in green. Do not connect 2 in red and none in green, or 2 in green and none in red. If only one color receptacle is used with multiple loads, the alternator may experience an unbalanced load, causing undue vibration to generator.



Figure 13

1 - Green Dots

2 - Red Dots

TRANSFER SWITCH CONNECTIONS

The Westinghouse generator is wired with the neutral bonded to ground. If you are connecting your generator to a transfer switch, the electrician must first determine what type transfer switch is being used. Transfer switches for this equipment are either two-pole or three-pole types.

A two-pole transfer switch will not switch the neutral from the generator to the service panel. That means the generator will be grounded to the service panel. To use the generator with two-pole transfer switches, the electrician will need to change the neutral from bonded to floating.

This is done by removing the jumper wire that connects the alternator ground to the alternator neutral. Remove the jumper wire and retighten the connections. Keep the jumper wire with the owner's manual in case it is needed for future use when not connected to a transfer switch.

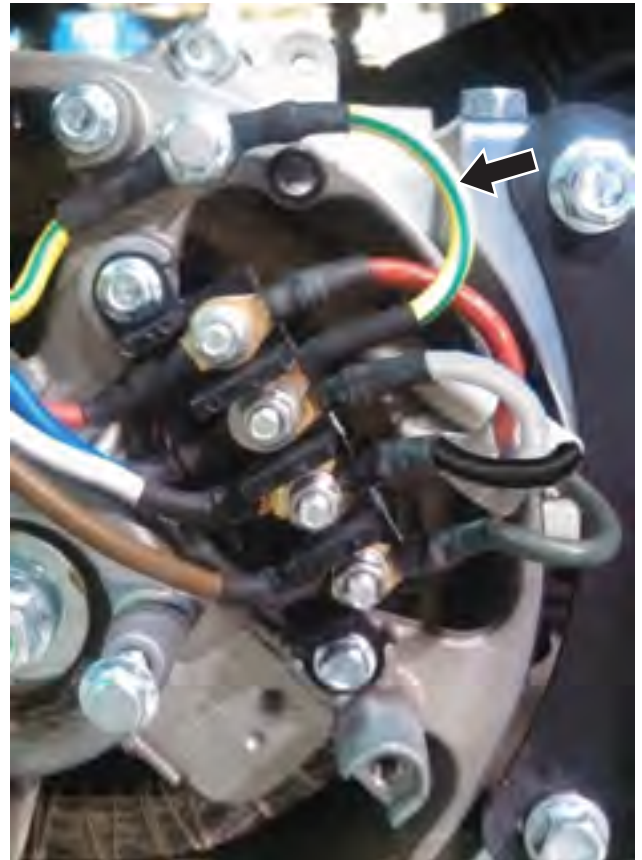


Figure 14

OPERATION

ADDING / CHECKING ENGINE FLUIDS AND FUEL



Before adding/checking engine fluids and fuel, review *Safety on page 7*.

DANGER



Filling the fuel tank with gasoline while the generator is running can cause gasoline to leak and come in contact with hot surfaces that can ignite the gasoline.

Before starting the generator, always check the level of:

- Engine oil
- Gasoline in the fuel tank

Once the generator is started and the engine gets warm, it is not safe to add gasoline to the fuel tank or engine oil to the engine while the engine is running or the engine and muffler are hot.

Checking and / or Adding Engine Oil

WARNING



Internal pressure can build in the engine crankcase while the engine is running. Removing the oil fill plug/dipstick while the engine is hot can cause extremely hot oil to spray out of the crankcase and can severely burn skin. Allow engine oil to cool for several minutes before removing the oil fill plug/dipstick.

The unit as shipped does not contain oil in the engine. You must add engine oil before starting the generator for the first time. See *Checking Engine Oil on page 28* and *Adding Engine Oil on page 29* for instructions on checking engine oil level and the procedure for adding engine oil.

NOTICE

The generator does not contain engine oil as shipped. Attempting to start the engine without adding engine oil can permanently damage internal engine components.

Adding Gasoline to the Fuel Tank

WARNING



Never refuel the generator while the engine is running.



Always turn the engine off and allow the generator to cool before refueling.

Required Gasoline – Only use gasoline that meets the following requirements:

- Unleaded gasoline only
- Gasoline with maximum 10% ethanol added
- Gasoline with an 87 octane rating or higher

Filling the Fuel Tank – Follow the steps below to fill the fuel tank:

1. Shut off the generator.
2. Allow the generator to cool down so all surface areas of the muffler and engine are cool to the touch.
3. Move the generator to a flat surface.
4. Clean area around the fuel cap.
5. Remove the fuel cap by rotating counterclockwise.
6. Slowly add gasoline into the fuel tank. Be very careful not to overfill the tank. The gasoline level should NOT be higher than the red level indicator inside the filler neck (see *Figure 15*).
7. Install the fuel cap by rotating clockwise until you hear a click, indicating the cap is completely installed.

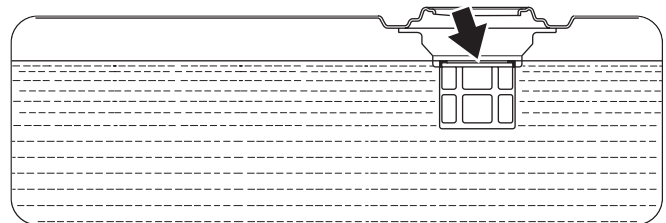


Figure 15 – Maximum Gasoline Fill Level

CAUTION



Avoid prolonged skin contact with gasoline. Avoid prolonged breathing of gasoline vapors.

STARTING THE GENERATOR



Before starting the generator, review Safety on page 7.

Before attempting to start the generator, verify the following:

- The engine is filled with engine oil (see *Checking Engine Oil on page 28*).
- The generator is situated in a proper location (see *Location Selection on page 19*).
- The generator is on a dry surface (see *Weather and Dry Surface on page 19*).
- All loads are disconnected from the generator (see *No Connected Loads on page 19*).
- The generator is properly grounded (see *Grounding the Generator on page 19*).

DANGER



Never use the generator in a location that is wet or damp. Never expose the generator to rain, snow, water spray or standing water while in use. Protect the generator from all hazardous weather conditions. Moisture or ice can cause a short circuit or other malfunction in the electrical circuit.



Never operate the generator in an enclosed area. Engine exhaust contains carbon monoxide. Only operate the generator outside and away from windows, doors and vents.

NOTICE

The engine is equipped with a low oil shutdown switch. If the oil level becomes low, the engine will shut down and will not start until the oil is filled to the proper level.

Be sure the engine has the proper oil level before using. Failure to verify that the engine has the proper oil level could result in engine damage.

Disconnect all loads from the generator before starting. Failure to verify all loads are disconnected prior to starting the generator could result in damage to the connected appliances.

Manually Starting a Generator

NOTE: This procedure can also be used on an electric start generator.

1. Make sure the circuit breakers are properly set (see *Figure 16*).

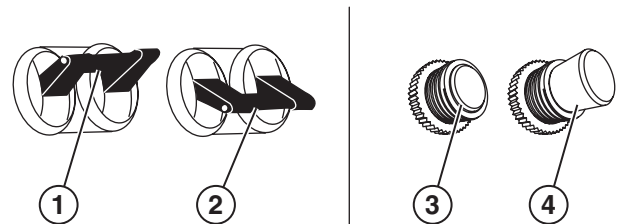


Figure 16 – Breakers

1 - 240/120V Main Circuit Breaker Operating Position

2 - 240/120V Main Circuit Breaker Tripped Position

3 - 120V Circuit Breaker Operating Position

4 - 120V Circuit Breaker Tripped Position

OPERATION

2. Move the fuel shutoff valve to the **ON** position (see Figure 17).

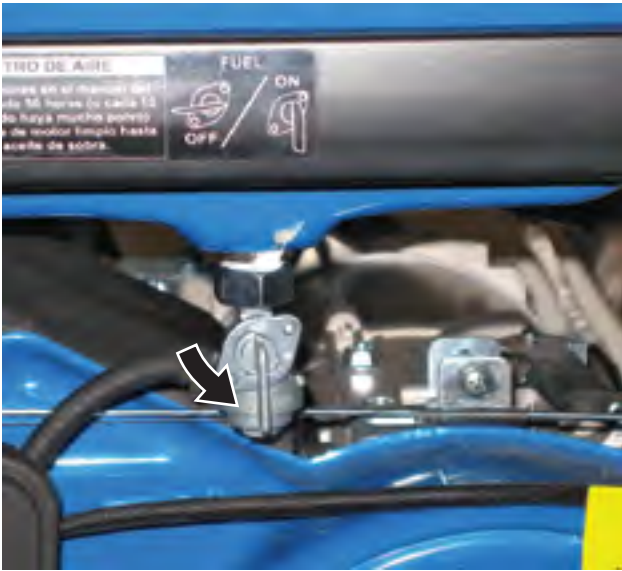


Figure 17 – Fuel Shutoff Valve in the **ON** Position

3. Move the choke lever to the **ON** position (see Figure 18).



Figure 18 – Choke Lever

4. Push the engine control switch into the **RUN** position (see Figure 19).



Figure 19 – Engine Control Switch

5. Firmly grasp and pull the recoil handle slowly until you feel increased resistance. At this point, apply a rapid pull while pulling up and slightly away from the generator (see Figure 20).



Figure 20

6. As the engine starts and stabilizes, gradually move the choke lever back to the **OFF** position.

Starting an Electric Start Generator

1. Verify the battery is properly installed and both battery cables are attached (see *Installing the Battery (Electric Start Generators Only)* on page 15).
2. Make sure the circuit breakers are properly set (see *Figure 21*).

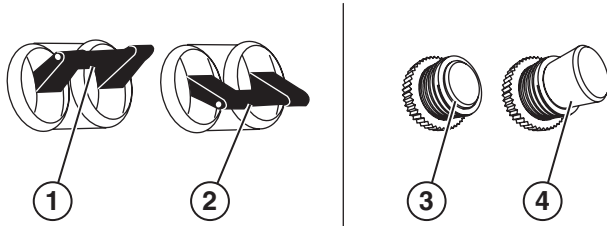


Figure 21 – Circuit Breakers

- | | |
|--|---|
| 1 - 240/120V Main Circuit Breaker Operating Position | 3 - 120V Circuit Breaker Operating Position |
| 2 - 240/120V Main Circuit Breaker Tripped Position | 4 - 120V Circuit Breaker Tripped Position |
3. Move the fuel shutoff valve to the **ON** position (see *Figure 22*).



Figure 22 – Fuel Shutoff Valve in the **ON** Position

4. Move the choke lever to the **ON** position (see *Figure 23*).



Figure 23 – Choke Lever

5. Push and hold the engine control switch in the **START** position until the engine starts. Once the engine starts, release the engine control switch; the switch will automatically move into the **RUN** position (see *Figure 24*).



Figure 24 – Engine Control Switch

NOTICE

Failure to release the engine control switch once the engine starts could result in damage to the generator.

Never push the engine control switch to the **START** position while the engine is running; this could damage the generator.

6. As the engine starts and stabilizes, gradually move the choke lever back to the **OFF** position.

OPERATION

NOTE: If the engine fails to start after 5 seconds, release the engine control switch. Let the generator sit idle for 15 seconds and then repeat step 5. If the cranking speed drops after each unsuccessful attempt, then the battery may not be adequately charged. Manually start the generator as instructed in *Manually Starting a Generator on page 23*.

NOTE: The electric start generator is equipped with a battery charging feature. Once the engine is running, a small charge is supplied to the battery via the battery cables and will slowly recharge the battery.

STOPPING THE GENERATOR

Normal Operation

During normal operation, use the following steps to stop your generator:

1. Remove any connected loads from the control panel receptacles.
2. Allow the generator to run at “no load” to reduce and stabilize engine and alternator temperatures.
3. Push the engine control switch to the **OFF** position.
4. Turn the fuel shutoff valve to the **OFF** position.

During an Emergency

If there is an emergency and the generator must be stopped quickly, push the engine control switch to the **OFF** position immediately.

MAINTENANCE



Before performing maintenance on the generator, review *Safety* on page 7 and the following safety messages.

⚠ WARNING	
	Avoid accidentally starting the generator during maintenance by removing the spark plug boot from the spark plug. For electric start generators, also disconnect the battery cables from the battery (disconnect the black negative (-) cable first) and place the cables away from the battery posts to avoid arcing.
	Allow hot components to cool to the touch prior to performing any maintenance procedure.
	Internal pressure can build in the engine crankcase while the engine is running. Removing the oil fill plug/dipstick while the engine is hot can cause extremely hot oil to spray out of the crankcase and can severely burn skin. Allow engine oil to cool for several minutes before removing the oil fill plug/dipstick.
	Always perform maintenance in a well-ventilated area. Gasoline fuel and fuel vapors are extremely flammable and can ignite under certain conditions.

⚠ CAUTION	
	Avoid skin contact with engine oil or gasoline. Prolonged skin contact with engine oil or gasoline can be harmful. Frequent and prolonged contact with engine oil may cause skin cancer. Take protective measures and wear protective clothing and equipment. Wash all exposed skin with soap and water.

Maintenance Schedule

⚠ WARNING	
	Failure to perform periodic maintenance or not following maintenance procedures can cause the generator to malfunction and could result in death or serious injury.

NOTICE	
Periodic maintenance intervals vary depending on generator operating conditions. Operating the generator under severe conditions, such as sustained high-load, high-temperature, or unusually wet or dusty environments, will require more frequent periodic maintenance. The intervals listed in the maintenance schedule should be treated only as a general guideline.	

Following the maintenance schedule is important to keep the generator in good operating condition. The following is a summary of maintenance items by periodic maintenance intervals.

Table 1: Maintenance Schedule - Owner Performed

Maintenance Item	Before Every Use	After First 20 Hours or First Month of Use	After 50 Hours of Use or Every 3 Months	After 100 Hours of Use or Every 6 Months	After 300 Hours of Use or Every Year
Engine Oil	Check Level	Change	Change	–	–
Cooling Features	Check/Clean	–	–	–	–
Air Filter	Check	–	Clean ¹	–	Replace
Spark Plug	–	–	–	Check/Clean	Replace
Spark Arrestor	–	–	–	Check/Clean	–

¹ Service more frequently if operating in dry and dusty conditions.

MAINTENANCE

Table 2: Maintenance Schedule - Authorized Westinghouse Service Dealer Performed

Maintenance Item	Before Every Use	After First 20 Hours or First Month of Use	After 50 Hours of Use or Every 3 Months	After 100 Hours of Use or Every 6 Months	After 300 Hours of Use or Every Year
Valve Clearance	–	–	–	–	Check/Adjust
Fuel Filter	–	–	–	Check/Clean	–
Idle Speed	–	–	–	–	Check/Adjust

ENGINE OIL MAINTENANCE

Engine Oil Specification

1. Only use the engine oil specified in *Figure 25*.
2. Only use 4-stroke/cycle engine oil. NEVER USE 2-STROKE/CYCLE OIL. Synthetic oil is an acceptable substitute for conventional oil.

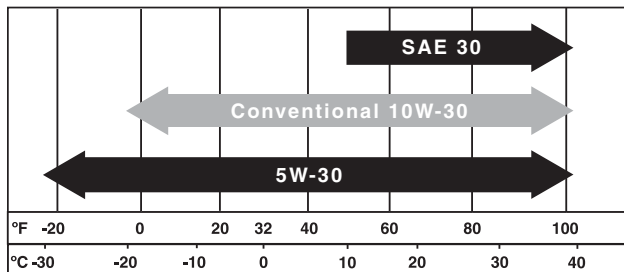


Figure 25 – Recommended Oil

Checking Engine Oil

NOTICE

Always maintain proper engine oil level. Failure to maintain proper engine oil level could result in severe damage to the engine and/or shorten the life of the engine.

Always use the specified engine oil. Failure to use the specified engine oil can cause accelerated wear and/or shorten the life of the engine.

Engine oil level should be checked before every use.

1. Always operate or maintain the generator on a flat surface.
2. Stop engine if running.
3. Let engine sit and cool for several minutes (allow crankcase pressure to equalize).
4. With a damp rag, clean around the oil fill plug/dipstick.
5. Remove oil fill plug/dipstick (*see Figure 26*).

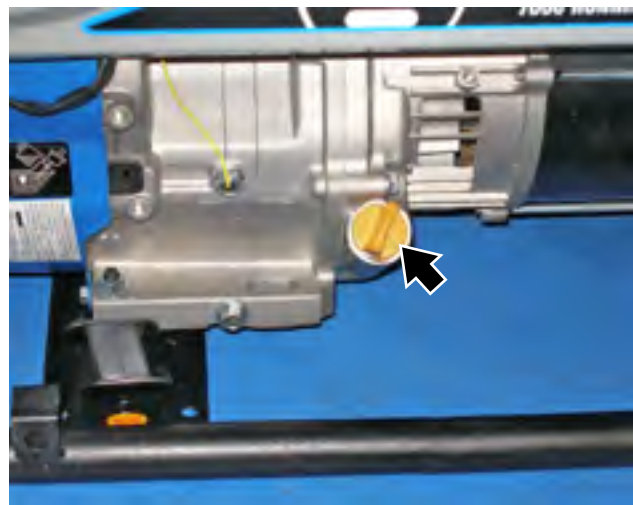


Figure 26 – Oil Fill Plug/Dipstick

6. Check oil level:

When checking the engine oil, remove the oil fill plug/dipstick and wipe it clean. Thread the oil fill plug/dipstick all the way back in and then remove and check the oil level on the oil fill plug/dipstick.

- Acceptable Oil Level – Oil is visible on the cross-hatches between the H and L lines on the oil fill plug/dipstick (*see Figure 27*).
- Low Oil – Oil is below the L line on the oil fill plug/dipstick.

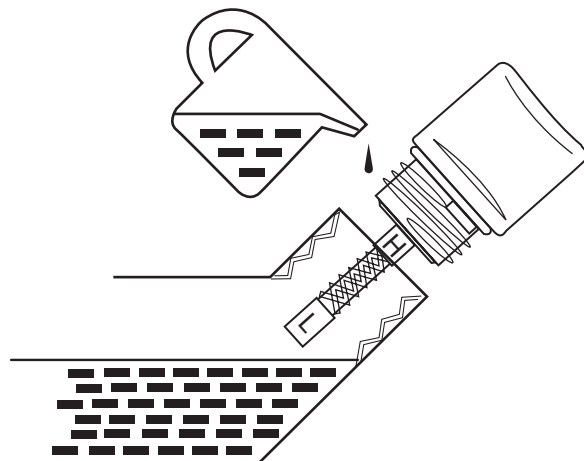


Figure 27 – Checking Oil Level

Adding Engine Oil

1. Always operate or maintain the generator on a flat surface.
2. Stop engine if running.
3. Let engine sit and cool for several minutes (allow crankcase pressure to equalize).
4. Thoroughly clean around the oil fill plug/dipstick.
5. Remove oil fill plug/dipstick and wipe clean.
6. Select the proper engine oil as specified in *Figure 23*.
7. Using the supplied funnel and tube, slowly add engine oil to the engine. Stop frequently to check the level to avoid overfilling (see *Figure 28*).



Figure 28 – Adding Engine Oil

8. Continue to add oil until the oil is at the correct level. See *Checking Engine Oil* on page 26.

Changing Engine Oil

1. Stop the engine.
2. Let engine sit and cool for several minutes (allow crankcase pressure to equalize).
3. Place oil pan (or suitable container) under the oil drain plug.
4. With a damp rag, thoroughly clean around the oil drain plug.

5. Remove the oil drain plug (see *Figure 29*). Once removed, place the oil drain plug on a clean surface.

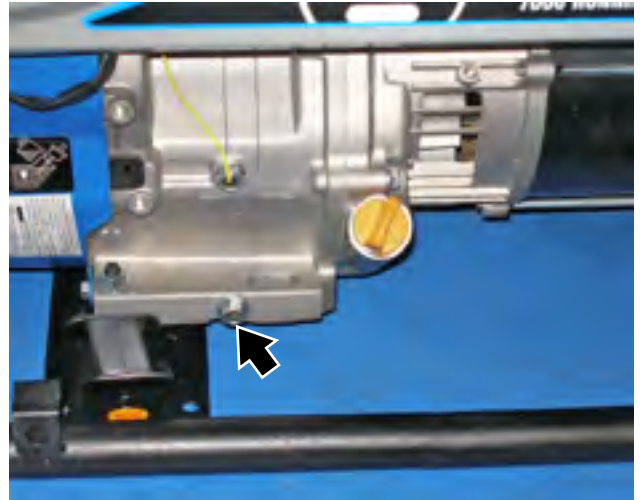


Figure 29 – Oil Drain Plug

6. Remove the oil fill plug so the oil can drain more easily from the oil drain port.
7. Allow oil to completely drain.
8. Replace oil drain plug.
9. Fill crankcase with oil following the steps outlined in *Adding Engine Oil* on page 27.

NOTICE

Never dispose of used engine oil by dumping the oil into a sewer, on the ground, or into groundwater or waterways. Always be environmentally responsible. Follow the guidelines of the EPA or other governmental agencies for proper disposal of hazardous materials. Consult local authorities or reclamation facility.

10. Dispose of used engine oil properly.

AIR FILTER MAINTENANCE

WARNING



Never use gasoline or other flammable solvents to clean the air filter. Use only household detergent soap to clean the air filter.

Cleaning the Air Filter

The air filter must be cleaned after every 50 hours of use or 3 months (frequency should be increased if generator is operated in a dusty environment).

1. Turn off the generator and let it cool for several minutes if running.

MAINTENANCE

2. Move the generator to a flat, level surface.
3. Unclip the clips on the top and bottom of the air filter cover (see Figure 30) and remove the air filter cover.



Figure 30 – Removing Air Filter Cover

4. Remove the black coarse outside air filter (see Figure 31).



Figure 31 – Removing Coarse Outside Air Filter

5. Remove the gray fine inside air filter (see Figure 32).



Figure 32 – Removing Fine Inside Air Filter

6. Wash the foam air filter elements by submerging the elements in a solution of household detergent soap and warm water. Slowly squeeze the foam to thoroughly clean.

NOTICE

NEVER twist or tear the foam air filter element during cleaning or drying. Only apply slow but firm squeezing action.

7. Rinse in clean water by submerging the air filter elements in fresh water and applying a slow squeezing action.

NOTICE

Never dispose of soap cleaning solution used to clean the air filter by dumping the solution into a sewer, on the ground, or into groundwater or waterways. Always be environmentally responsible. Follow the guidelines of the EPA or other governmental agencies for proper disposal of hazardous materials. Consult local authorities or reclamation facility.

8. Dispose of used soap cleaning solution properly.

9. Dry the air filter elements by again applying a slow firm squeezing action.
10. Once the air filters are dry, coat the air filters with clean engine oil (see Figure 33).

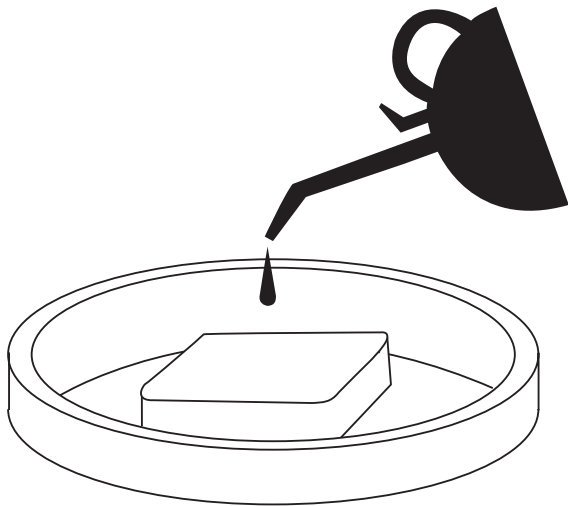


Figure 33

11. Squeeze the filters to remove any excess oil (see Figure 34).

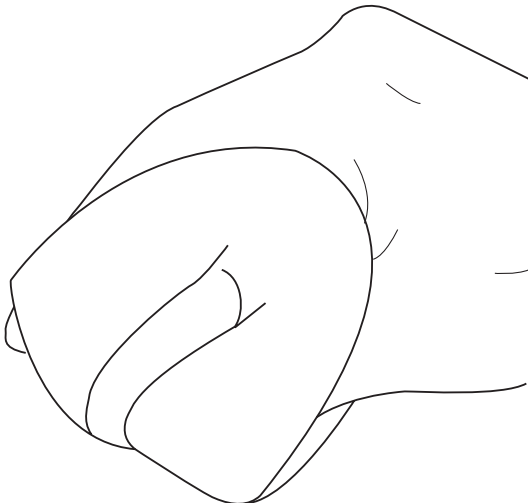


Figure 34

12. Install the gray fine inside air filter into the air filter housing first.
13. Install the black coarse outside air filter on top of the fine filter.

14. Install the air filter cover by clipping the clips on the top and bottom of the air filter assembly (see Figure 35).



Figure 35 – Installation of Air Filter Cover

MAINTENANCE

SPARK PLUG MAINTENANCE

The spark plug must be checked and cleaned after every 100 hours of use or 6 months and must be replaced after 300 hours of use or every year.

1. Stop the generator and let it cool for several minutes if running.
2. Move the generator to a flat, level surface.
3. Remove the spark plug boot by firmly pulling the plastic spark plug boot handle directly away from the engine (see Figure 36).

NOTICE

Never apply any side load or move the spark plug laterally when removing the spark plug. Applying a side load or moving the spark plug laterally may crack and damage the spark plug boot.



Figure 36 – Removal of Spark Plug Boot

4. Clean area around the spark plug.
5. Using the 13/16" spark plug socket wrench provided, remove the spark plug from the cylinder head (see Figure 37).



Figure 37 – Removing Spark Plug

6. Place a clean rag over the opening created by the removal of the spark plug to make sure no dirt can get into the combustion chamber.
7. Inspect the spark plug for:
 - Cracked or chipped insulator
 - Excessive wear
 - Spark plug gap (the acceptable limit of 0.024 – 0.032 in. [0.60 – 0.80 mm]) (see Figure 38).

If the spark plug fails any one of the conditions listed above, replace the plug with a Champion RN9YC plug or equivalent.

NOTICE

Only use the recommended spark plug (Champion RN9YC or equivalent). Using a non-recommended spark plug could result in damage to the engine.

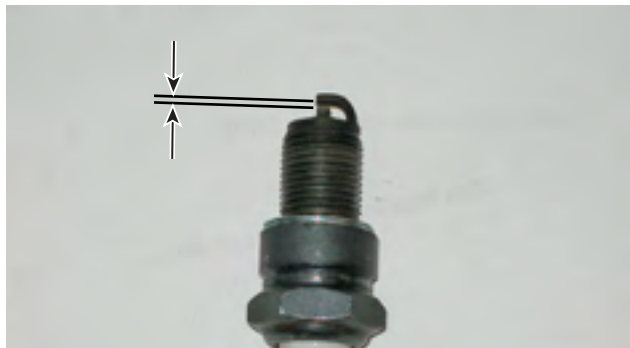


Figure 38 – Spark Plug Gap Requirements

8. Install the spark plug by carefully following the steps outlined below:
 - a - Carefully insert the spark plug back into the cylinder head. Hand-thread the spark plug until it bottoms out.
 - b - Using the 13/16" spark plug socket wrench provided, turn the spark plug to ensure it is fully seated.
 - c - Replace the spark plug boot, making sure the boot fully engages the spark plug's tip.
2. Loosen and remove the nuts on the battery hold-down plate and remove the plate from the support rods (see Figure 39).

Recommended Spark Plug Replacement:

AutoLite	63
Champion	RN9YC
Bosch	WR7DS
Torch	F6RTC

BATTERY SERVICE

To ensure the battery remains charged, the generator should be started every 2 to 3 months and run for a minimum of 15 minutes. If the generator is stored more than a year without running, a battery charger may be needed to recharge the battery.

Battery Replacement

1. Remove the spark plug wire from spark plug.

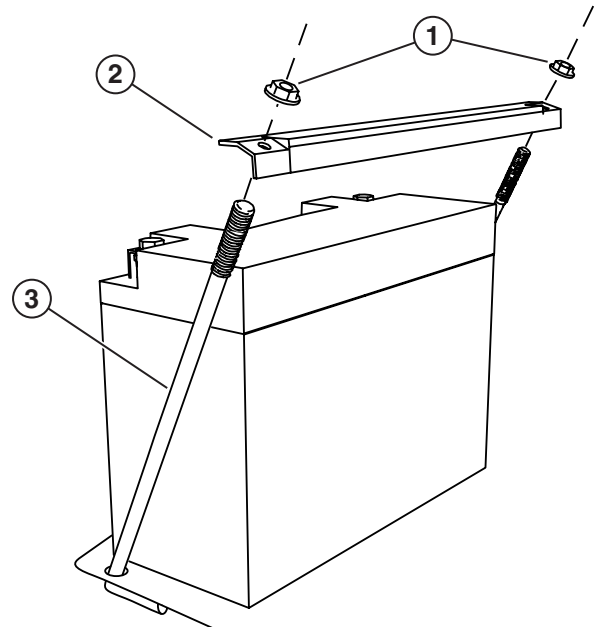


Figure 39

- 1 - Nuts
 - 2 - Battery Hold-Down Plate
 - 3 - Support Rods
3. Tip the battery forward slightly to access battery cables.
 4. Disconnect the black negative (-) battery cable from the battery first.
 5. Disconnect the red positive (+) battery cable second and remove the battery.

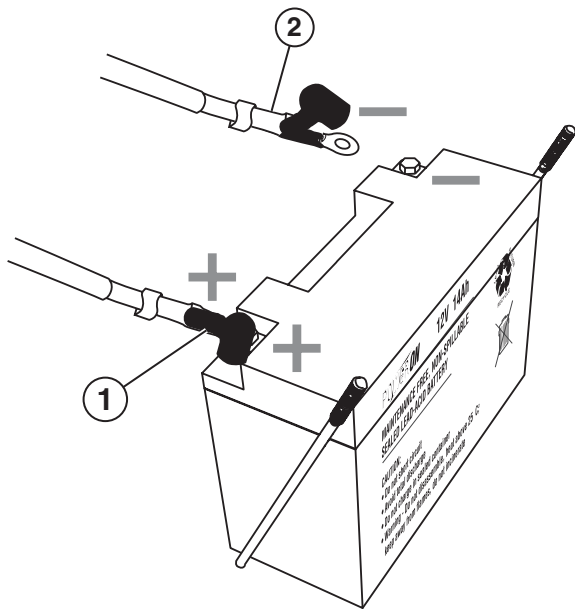


Figure 40

- 1 - Red Positive (+) Battery Cable 2 - Black Negative (-) Battery Cable

NOTICE

Dispose of the used battery properly according to the guidelines established by your local or state government.

6. Install the new battery into the generator frame.
7. Connect the red positive (+) battery cable to the battery first.
8. Connect the black negative (-) battery cable to the battery second.
9. Install the battery hold-down plate using the nuts removed in step 2.
10. Install the spark plug wire onto spark plug.

The battery is the same as a motorcycle/utility battery.

Type	14L-A2
Model	CYLA214SXTA
Volts	12
Amp	14
Dimensions (L x H x W)	5.9 x 4.33 x 3.43 in. (15.0 x 11.0 x 8.7 cm)

CLEANING THE SPARK ARRESTOR

Check and clean the spark arrester after every 100 hours of use or 6 months.

1. Stop the generator and let it cool for several minutes if running.
2. Move the generator to a flat, level surface.
3. Using a flathead screwdriver, loosen the spark arrester band clamp (see Figure 41).

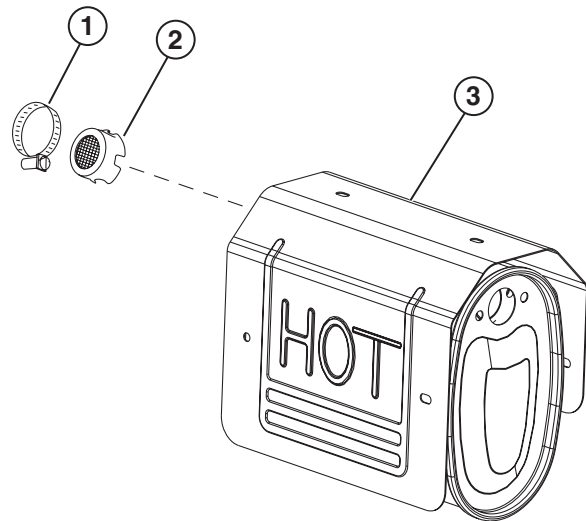


Figure 41 – Spark Arrester Assembly

- 1 - Spark Arrester Band Clamp
 - 2 - Spark Arrester Screen
 - 3 - Muffler
4. Slide the spark arrester band clamp off the spark arrester screen.
 5. Pull the spark arrester screen off the muffler exhaust pipe.
 6. Using a wire brush, remove any dirt and debris that may have collected on the spark arrester screen.
 7. If the spark arrester screen shows signs of wear (rips, tears or large openings in the screen), replace the spark arrester screen.
 8. Install the spark arrester components in the following order:
 - a - Place spark arrester screen over the muffler exhaust pipe. Push on the screen until it fully bottoms out.
 - b - Place the spark arrester band clamp over the screen and tighten with a flathead screwdriver.

CLEANING THE GENERATOR

It is important to inspect and clean the generator before every use.

Clean All Engine Air Inlet and Outlet Ports – Make sure all engine air inlet and outlet ports are clean of any dirt and debris to ensure the engine does not run hot (see Figure 42).



Figure 42 – Engine Air Inlet and Outlet Ports

Clean All Engine Cooling Fins – Use a damp rag and a brush to loosen and remove all dirt on or around the engine's cooling fins (see Figure 43).

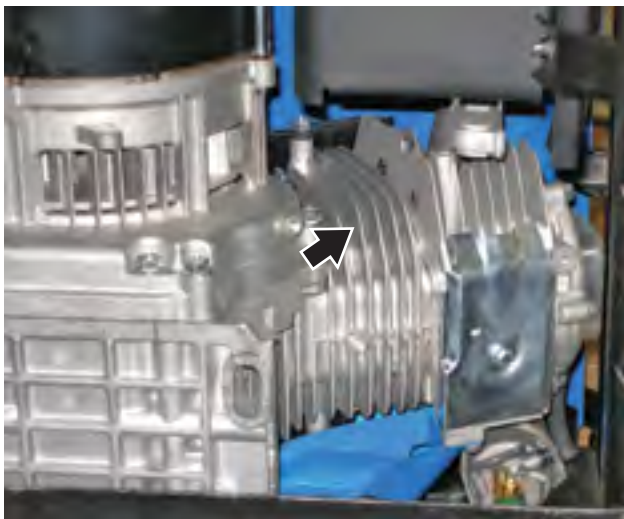


Figure 43 – Engine Cooling Fins

Clean All Alternator Cooling Air Inlets and Exhaust Ports – Make sure the cooling air inlets and exhaust ports of the alternator are free of any debris and obstructions. Use a vacuum cleaner to remove dirt and debris stuck in the cooling air inlets and exhaust ports (see Figure 44 and Figure 45).

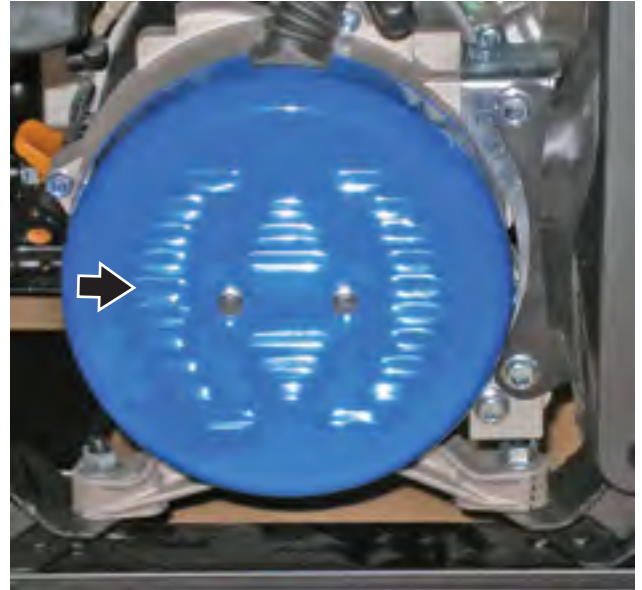


Figure 44 – Alternator Cooling Air Inlet and Outlet Port



Figure 45 – Alternator Cooling Air Inlet and Outlet Port

General Cleaning of the Generator – Use a damp rag to clean all remaining surfaces.

MAINTENANCE

STORAGE

WARNING



Never store a generator with fuel in the tank indoors or in a poorly ventilated area where the fumes can come in contact with an ignition source such as a: 1) pilot light of a stove, water heater, clothes dryer or any other gas appliance; or 2) spark from an electric appliance.

NOTICE

Gasoline stored for as little as 60 days can go bad, causing gum, varnish and corrosive buildup in fuel lines, fuel passages and the engine. This corrosive buildup restricts the flow of fuel, preventing an engine from starting after a prolonged storage period.

Proper care should be taken to prepare the generator for any storage.

1. Clean the generator as outlined in *Cleaning the Generator* on page 35.
2. Drain all gasoline from the fuel tank as best as possible.
3. With the fuel shutoff valve open, start the engine and allow the generator to run until all the remaining gasoline in the fuel lines and carburetor is consumed and the engine shuts off.
4. Close the fuel shutoff valve.
5. Change the oil (*see Changing Engine Oil* on page 29).
6. Remove the spark plug (*see Spark Plug Maintenance* on page 32) and place about 1 tablespoon of oil in the spark plug opening. While placing a clean rag over the spark plug opening, slowly pull the recoil handle to allow the engine to turn over several times. This will distribute the oil and protect the cylinder wall from corroding during storage.
7. Replace the spark plug (*see Spark Plug Maintenance* on page 32).
8. Move the generator to a clean, dry place for storage.

TROUBLESHOOTING

WARNING



Before attempting to service or troubleshoot the generator, the owner or service technician must first read the owner's manual and understand and follow all safety instructions. Failure to follow all instructions may result in conditions that can lead to voiding of the EPA certification or product warranty, serious personal injury, property damage or even death.

PROBLEM	POTENTIAL CAUSE	SOLUTION
Engine is running, but no electrical output.	1. Circuit breakers are tripped.	1. Reset the circuit breakers and check for overload condition (<i>see pages 23 and 25</i>).
	2. The power cord's plug connector is not fully engaged in the generator's outlet.	2. Verify plug connector is firmly engaged in the generator's outlet. If using the 240V outlet, make sure plug connector is rotated 1/4 turn in the clockwise direction.
	3. Faulty or defective power cord	3. Replace power cord.
	4. Faulty or defective electrical appliance	4. Try connecting a known good appliance to verify the generator is producing electrical power.
	5. If trying 1-4 above does not solve the problem, the cause might be the generator has a fault.	5. Take the generator to your nearest authorized service dealer.
Engine will not start or remain running while trying to start.	1. Fuel shutoff valve is in the OFF position.	1. Move the fuel shutoff valve to the ON position (<i>see pages 24 and 25</i>).
	2. Generator is out of gasoline.	2. Add gasoline to the generator (<i>see page 22</i>).
	3. Fuel flow is obstructed.	3. Inspect and clean fuel delivery passages.
	4. Unit is overchoked.	4. Move the choke lever halfway between the ON and OFF positions (<i>see pages 24 and 25</i>).
	5. Starting battery may have insufficient charge	5. On electric start models only. Check battery output and charge battery as necessary.
	6. Dirty air filter	6. Check and clean the air filter (<i>see pages 29-31</i>).
	7. Low oil level shutdown switch is preventing the unit from starting.	7. Check oil level and add oil if necessary (<i>see pages 28 and 29</i>).
	8. Spark plug boot is not fully engaged with the spark plug tip.	8. Firmly push down on the spark plug boot to ensure the boot is fully engaged (<i>see pages 32 and 33</i>).
	9. Spark plug is faulty.	9. Remove and check the spark plug. Replace if faulty (<i>see pages 32 and 33</i>).
	10. Dirty/plugged spark arrestor	10. Check and clean the spark arrestor (<i>see page 34</i>).
	11. Stale fuel	11. Drain fuel and replace with fresh fuel (<i>see page 22</i>).
	12. If trying 1-11 above does not solve the problem, the cause might be the generator has a fault.	12. Take the generator to your nearest authorized service dealer.

TROUBLESHOOTING

PROBLEM	POTENTIAL CAUSE	SOLUTION
Generator suddenly stops running.	1. Generator is out of fuel.	1. Check fuel level (<i>see page 22</i>). Add fuel if necessary.
	2. The low oil shutdown switch has stopped the engine.	2. Check oil level and add oil if necessary (<i>see pages 28 and 22</i>).
	3. Too much load	3. Restart the generator and reduce the load.
	4. If trying 1-3 above does not solve the problem, the cause might be a fault in the generator.	4. Take the generator to your nearest authorized service dealer.
Engine runs erratic; does not hold a steady RPM.	1. Choke was left in the ON position.	1. Move choke to the OFF position (<i>see pages 24 and 25</i>).
	2. Dirty air filter	2. Clean the air filter (<i>see pages 29-31</i>).
	3. Applied loads may be cycling on and off	3. As applied loads cycle, changes in engine speed may occur; this is a normal condition.
	4. If trying 1-3 above does not solve the problem, the cause might be a fault in the generator	4. Take the generator to your nearest authorized service dealer.

WESTPRO POWER SYSTEMS “THREE YEAR” LIMITED WARRANTY

Effective July 1, 2011

WESTPRO’S RESPONSIBILITY

Westpro Power Systems, LLC (“WESTPRO”) warrants to the original purchaser that its Westinghouse line of generators will be free from defects in material and workmanship. Under normal use and maintenance from the date of purchase, WESTPRO agrees to repair or replace at WESTPRO’s discretion, any defective product free of charge at any authorized WESTPRO Authorized Service Dealer within the below listed applications, time periods, limitations, and exclusions. THIS LIMITED WARRANTY IS EXTENDED TO THE ORIGINAL PURCHASER ONLY AND IS NOT TRANSFERABLE TO SUBSEQUENT OWNERS EXCEPT FOR EMISSION RELATED PARTS. This warranty is separate from the Emission Control Warranty Statement supplied with your new product. Please consult the Emission Control Warranty Statement for details regarding emission related parts. For a list of WESTPRO Authorized Service Dealers refer to www.westpropower.com or call 1-855-944-3571.

OWNER’S RESPONSIBILITY

To ensure trouble free warranty coverage it is important that you register your WESTPRO Westinghouse generator. You may register on-line at www.westpropower.com, by automated phone at 1-855-944-3571, or by filling out and returning to WESTPRO the warranty registration card supplied with your generator. Registering your product confirms your warranty coverage and provides a direct link between you and WESTPRO if we find it necessary to contact you.

Your receipt for purchase including date, model and serial number must be maintained and presented to a WESTPRO Authorized Service Dealer for warranty service. Proof of purchase rests solely with you, the original purchaser.

You must demonstrate reasonable care and use, and follow preventive maintenance, storage, fuel and oil usage as prescribed in the operator’s manual for your WESTPRO Westinghouse unit. Should a product difficulty occur, you must, at your expense, deliver or ship your WESTPRO Westinghouse unit to a WESTPRO Authorized Service Dealer for warranty repairs (which must occur within the applicable warranty period), and arrange for pick-up or return of your unit after the repairs have been made. For the WESTPRO Authorized Service Dealer nearest to you, call WESTPRO’s automated phone at 1-855-944-3571 or you may locate a WESTPRO Authorized Service Dealer at www.westpropower.com. Should you require assistance or have questions concerning WESTPRO’s Warranty Statement, you can contact us through the web at www.westpropower.com or call 1-855-944-3571.

PRODUCT WARRANTY APPLICATIONS AND PRODUCT WARRANTY PERIODS

CONSUMER APPLICATION

For the purpose of this limited warranty “Consumer Application” means usage by the original purchaser for the purpose of personal residential household or recreational use.

Parts and labor will be covered at 100% for a period of one (1) year from the date of purchase.

Parts only will be covered at 100% for a period of three (3) years from the date of purchase.

If proof of purchase is not available to establish the purchase date nor is the equipment registered as suggested herein, the date of manufacturing as recorded by WESTPRO will start the product warranty period.

COMMERCIAL APPLICATION

For the purpose of this limited warranty “Commercial Application” means usage by the original purchaser for the purpose of income producing, business related use. Once a generator has been used for income producing and business related purposes, it shall thereafter be considered a “Commercial Application” and the following warranty will apply.

Parts and labor will be covered at 100% for a period of one (1) year from the date of purchase.

If proof of purchase is not available to establish the purchase date nor is the equipment registered as suggested herein, the date of manufacturing as recorded by WESTPRO will start the product warranty period.

NON-WARRANTABLE APPLICATIONS

THE WESTPRO WESTINGHOUSE LINE OF GENERATORS IS EXPRESSLY NOT RECOMMENDED FOR NOR WARRANTED FOR THE FOLLOWING APPLICATIONS:

Medical and Life Support Uses – This product is not recommended for and is NOT warranted for the use to power Medical and Life Support equipment or devices.

Prime Power – This warranty does not apply to generators used for Prime Power (primary source of power) in place of utility power where utility power service is present or where utility power service does not normally exist, regardless of whether a Consumer Application or Commercial Application is involved.

EXCLUSIONS

- WESTPRO portable generators that utilize non-WESTPRO replacement parts.
- Costs of normal maintenance and adjustments.
- Failures caused by any contaminated fuels, oils, or lack of proper oil levels.
- Repairs or diagnostics performed by individuals other than WESTPRO authorized dealers not authorized in writing by WESTPRO.
- Failures due to normal wear and tear, accident, misuse, abuse, negligence or improper use. As with all mechanical devices, the WESTPRO engines need periodic part(s) service and replacement to perform as designed. This warranty will not cover repair when normal use has exhausted the life of a part(s) or engine.
- Failures caused by any external cause or act of God, including but not limited to, collision, theft, vandalism, riot, war, fire, freezing, lightning, earth-quake, windstorm, hail, water, flood, tornado, or hurricane.
- Damage related to rodent and/or insect infestation.
- Products that are modified or altered in a manner not authorized in writing by WESTPRO.
- Any incidental, consequential or indirect damages caused by defects in materials or workmanship, or any delay in repair or replacement of the defective part(s).
- Failure due to misapplication.
- Telephone, cellular phone, facsimile, internet access, or other communication expenses.
- Expenses related to “customer instruction” or troubleshooting where no manufacturing defect is found.
- Overnight freight or special shipping costs for replacement part(s).
- Overtime, holiday or emergency labor.
- Starting batteries, fuses, light bulbs and engine fluids.

DISCLAIMER OF IMPLIED WARRANTIES

This limited warranty is in lieu of all other expressed or implied warranties, including any warranty of FITNESS FOR A PARTICULAR PURPOSE OR USE and any implied warranty of MERCHANTABILITY otherwise applicable to WESTPRO's Westinghouse line of generators. WESTPRO and its affiliated companies shall not be liable for any special, incidental or consequential damage, including lost profits. There are no warranties extended other than as provided herein. This limited warranty may be modified only by WESTPRO. Any implied warranties allowed by law shall be limited in duration to the terms of the express warranty provided herein. Some states do not allow limitations on how long an implied warranty lasts, so the above limitation may not apply to you. Some states do not allow the exclusion or limitation of incidental or consequential damages, so the above limitation may not apply to you. This warranty gives you specific legal rights. You also have other rights from state to state. WESTPRO'S ONLY LIABILITY SHALL BE THE REPAIR OR REPLACEMENT AS STATED ABOVE. IN NO EVENT SHALL WESTPRO BE LIABLE FOR ANY INCIDENTAL OR CONSEQUENTIAL DAMAGES, EVEN IF SUCH DAMAGES ARE A DIRECT RESULT OF WESTPRO'S NEGLIGENCE. Some states do not allow the exclusion or limitation of incidental or consequential damages, so the above limitation may not apply to you. This warranty gives you specific legal rights and you may also have other rights from state to state.

This limited warranty is given by Westpro Power Systems, LLC, W237 N2889 Woodgate Rd. Unit B, Pewaukee, WI 53072.



MANUAL DEL PROPIETARIO

**California
Proposition 65 Warning**

The engine exhaust from this product contains chemicals known to the state of California to cause cancer, birth defects or other reproductive harm.

**California
Proposition 65 Warning**

Certain components in this product and its related accessories contain chemicals known to the state of California to cause cancer, birth defects or other reproductive harm. Wash hands after handling.

EXCLUSIONES:

Toda la información, las ilustraciones y especificaciones de este manual se basan en la información más reciente disponible al momento de la publicación. Las ilustraciones que se utilizan en este manual están destinadas a representar vistas de referencia únicamente. Además, debido a nuestra política de mejora continua del producto podemos modificar la información, las ilustraciones y/o las especificaciones para explicar y/o ejemplificar una mejora de producto, servicio o mantenimiento. Nos reservamos el derecho a realizar cualquier cambio en cualquier momento sin aviso. Algunas imágenes podrán variar dependiendo del modelo que se está mostrando.

TODOS LOS DERECHOS RESERVADOS:

Ninguna parte de esta publicación se puede reproducir ni usar por ningún medio, sea gráfico, electrónico o mecánico, incluido el uso de fotocopias, grabaciones, grabaciones en cinta o de sistemas de almacenamiento y recuperación de información, sin el permiso por escrito de Westpro Power Systems, LLC.

FELICITACIONES POR ADQUIRIR UN GENERADOR WESTINGHOUSE



PELIGRO



Este manual contiene instrucciones importantes para la operación de este generador. Para su seguridad y la de los demás, debe leer este manual completamente antes de operar el generador. Si no sigue adecuadamente todas las instrucciones y precauciones, usted y otras personas pueden resultar gravemente heridos o morir.

Para sus registros:

Fecha de compra: _____ Número de modelo del generador: _____

Comprado a Negocio/Distribuidor: _____ Número de serie del generador: _____

Recibo de compra: (conservar el recibo de compra para asegurar la cobertura sin problemas de la garantía).

Registro del producto:


Para asegurar la cobertura sin problemas de la garantía es importante que registre el generador Westinghouse. Complete el formulario de registro del producto que está a continuación y envíelo a:

Registro del producto
Westpro Power Systems, LLC
W237 N2889 Woodgate Road, Unit B
Pewaukee, WI 53072

Para registrar el generador deberá ubicar la siguiente información:

Número de Modelo

Número de Serie

 Westinghouse WESTPRO POWER SYSTEMS Pewaukee, WI 53072 USA	Model Number	_____	Engine RPM	3600	Serial Number _____
	Part Number	_____	Frequency	60 Hz	
	Phase	Single	Power Output	_____	
	AC Voltage	120/240	Fuel	Gasoline	
	<small>Designed in Pewaukee, WI USA Made in China Diseñado en Pewaukee, WI USA Hecho en China</small>				

Formulario de registro del producto

INFORMACIÓN PERSONAL

Nombre: _____

Apellido: _____

Dirección: _____

Dirección: _____

Ciudad, Estado, Código postal: _____

País: _____

Número de teléfono: _____

Dirección de correo electrónico: _____

INFORMACIÓN SOBRE EL GENERADOR

Número de modelo: _____

Número de serie: _____

Fecha de adquisición: _____

Comprado a: _____

NÚMERO DE MODELO REFERENCIA

EPA (49 Estados)

WH3250
WH4500
WH5500
WH6000
WH6000S
WH6500E
WH7000
WH7000E
WH7500E

EPA (49 Estados) and CARB (50 Estados)

WH3250
WH5500
WH7000E
WH7500E

CSA (Canada)

WHC6500
WHC6000S
WHC6500E
WHC7000EGC

Sufijo:

E – Arranque Eléctrico
S – Unidad Tormenta
C – Unidad CARB
GC – Cable Generador

Prefijo:

WHC – CSA Certificado

FELICITACIONES POR ADQUIRIR UN GENERADOR WESTINGHOUSE.....	3
Para sus registros:.....	3
Registro del producto:.....	3
Formulario de registro del producto.....	3
NÚMERO DE MODELO REFERENCIA	4
SEGURIDAD	7
DEFINICIONES DE SEGURIDAD	7
DEFINICIONES DE LOS SÍMBOLOS DE SEGURIDAD	7
NORMAS GENERALES DE SEGURIDAD	8
ETIQUETAS Y CALCOMANÍAS DE SEGURIDAD.....	10
DESEMBALAR	12
PROCEDIMIENTO PARA DESEMBALAR EL GENERADOR	12
CAJA DE ACCESORIOS DEL KIT DE LAS RUEDAS	12
Componentes:	12
MONTAJE	13
MONTAJE	13
INSTALACIÓN DE LA BATERÍA (SÓLO PARA GENERADORES CON ARRANQUE ELÉCTRICO).....	15
CARACTERÍSTICAS	16
CARACTERÍSTICAS GENERALES DEL GENERADOR	16
CARACTERÍSTICAS DEL PANEL DE CONTROL.....	18
FUNCIONAMIENTO.....	19
ANTES DE ENCENDER EL GENERADOR	19
CABLE DE SUMINISTRO.....	20
Utilización de los prolongadores.....	20
Uso del cable de suministro Westinghouse.....	21
CONEXIONES DEL INTERRUPTOR DE TRANSFERENCIA	21
PROCEDIMIENTO PARA AGREGAR/CONTROLAR EL COMBUSTIBLE Y LOS LÍQUIDOS DEL MOTOR ...	22
Procedimiento para controlar y/o agregar el aceite para motor.....	22
Procedimiento para agregar gasolina al depósito de combustible	22
ENCENDIDO DEL GENERADOR	23
Arranque manual del generador	23
Encendido de un generador con arranque eléctrico.....	25
DETENCIÓN DEL GENERADOR.....	26
Funcionamiento normal.....	26
Durante una emergencia.....	26
MANTENIMIENTO	27
MANTENIMIENTO	27
Cronograma de mantenimiento	27
MANTENIMIENTO DEL ACEITE DEL MOTOR.....	28
Especificación del aceite del motor	28
Procedimiento para controlar el aceite del motor	28
Procedimiento para agregar el aceite del motor.....	29
Procedimiento para cambiar el aceite del motor	29
MANTENIMIENTO DEL FILTRO DE AIRE	30
Limpieza del filtro de aire.....	30
MANTENIMIENTO DE LA BUJÍA DE ENCENDIDO	32
SERVICIO A LA BATERÍA	33
Reemplazo de la batería	34
LIMPIEZA DEL AMORTIGUADOR DE CHISPAS.....	35
LIMPIEZA DEL GENERADOR	35
ALMACENAMIENTO.....	35
SOLUCIÓN DE PROBLEMAS.....	38
SOLUCIÓN DE PROBLEMAS.....	38
GARANTÍA.....	41
GARANTÍA LIMITADA DE “TRES AÑOS” DE WESTPRO POWER SYSTEMS	41
RESPONSABILIDAD DE WESTPRO.....	41
RESPONSABILIDAD DEL PROPIETARIO.....	41

ÍNDICE

APLICACIONES Y PERÍODOS DE LA GARANTÍA DEL PRODUCTO	41
APLICACIÓN PARA EL CONSUMO	41
APLICACIÓN COMERCIAL	42
APLICACIONES NO GARANTIZABLES	42
EXCLUSIONES	42
EXCLUSIONES DE GARANTÍAS IMPLÍCITAS	43

DEFINICIONES DE SEGURIDAD

Las palabras PELIGRO, ADVERTENCIA, PRECAUCIÓN y AVISO se usan a lo largo de este manual para destacar la información importante. Asegúrese de que todo aquel que trabaje con el equipo o cerca de él conozca el significado de estas alertas.



Este símbolo de alerta de seguridad aparece con la mayoría de las declaraciones de seguridad. Significa: ¡atención, esté alerta, su seguridad está en riesgo! Lea y respete el mensaje que aparece a continuación del símbolo de alerta de seguridad.



PELIGRO

Indica una situación de riesgo que, si no se evita, **causará lesiones graves o la muerte.**



ADVERTENCIA

Indica una situación de riesgo que, si no se evita, **podría causar lesiones graves o la muerte.**



PRECAUCIÓN

Indica una situación de riesgo que, si no se evita, **podría causar lesiones menores o de gravedad moderada.**

AVISO

Indica una situación que puede dañar el generador, la propiedad personal y/o el entorno, o que puede hacer que el equipo funcione incorrectamente.

NOTA: Indica un procedimiento, una práctica o una condición que debe seguirse a fin de que el generador funcione conforme al diseño.

DEFINICIONES DE LOS SÍMBOLOS DE SEGURIDAD

Símbolo	Descripción
	Símbolo de alerta de seguridad
	Peligro de asfixia
	Peligro de quemaduras
	Peligro de explosión/presión
	No deje las herramientas en la zona
	Peligro de electrocución
	Peligro de explosión
	Peligro de incendio
	Peligro de elevación
	Peligro de aplastamiento
	Lea las instrucciones del fabricante
	Lea los mensajes de seguridad antes de proceder
	Use equipo de protección personal (PPE, en inglés)

NORMAS GENERALES DE SEGURIDAD

PELIGRO



Nunca use el generador en lugares mojados o húmedos. Nunca exponga el generador a lluvia, nieve, rociado de agua o agua estancada durante el uso. Proteja el generador de todas las condiciones climáticas peligrosas. La humedad o el hielo pueden causar un cortocircuito u otro tipo de problema de funcionamiento en el circuito eléctrico.



Nunca opere el generador en un lugar cerrado. El escape del motor contiene monóxido de carbono. Sólo debe operar el generador en exteriores y alejado de ventanas, puertas y ventilaciones.

ADVERTENCIA



El voltaje del generador puede producir lesiones graves o la muerte.

- Nunca utilice el generador bajo la lluvia o en planicies de inundación a menos que se tomen las precauciones correspondientes para evitar que quede expuesto a la lluvia o la inundación.
- No utilice nunca prolongadores desgastados o dañados.
- Siempre debe contratar a un electricista matriculado para que conecte el generador al circuito de la red general.
- Nunca toque el generador cuando está en marcha si el generador está húmedo o si usted tiene las manos mojadas.
- Nunca utilice el generador en zonas con alto nivel de conducción como cerca de plataformas metálicas o estructuras de acero.
- Utilice siempre prolongadores conectados a tierra. Siempre use herramientas mecánicas de tres hilos o con aislamiento doble.
- Nunca toque los terminales que tienen corriente o los hilos desnudos mientras el generador está en funcionamiento.
- Asegúrese de que el generador esté conectado a tierra correctamente antes de utilizarlo.

ADVERTENCIA



La gasolina y los vapores de la gasolina son extremadamente inflamables y explosivos en determinadas condiciones.



- Siempre debe hacer la recarga de combustible del generador en exteriores, en una zona bien ventilada.
- Nunca saque el tapón de combustible con el motor en marcha.
- Nunca haga la recarga de combustible del generador mientras el motor está en marcha. Apague siempre el motor y deje que se enfríe el generador antes de recargar combustible.
- Siempre cargue el depósito de combustible con gasolina.
- Cuando realice la recarga, mantenga alejadas las chispas, llamas abiertas u otras formas de ignición (como cerillos, cigarrillos, fuentes de electricidad estática).
- Nunca sobrecargue el depósito de combustible. Deje espacio para la expansión del combustible. La sobrecarga del depósito de combustible puede producir un desbordamiento repentino de gasolina y hacer que la gasolina derramada tome contacto con superficies CALIENTES. El combustible derramado puede encenderse. Si se derrama combustible sobre el generador, debe eliminar los derrames de inmediato. Deseche los trapos como corresponda. Deje que se seque la superficie donde se produjo el derrame antes de operar el generador.
- Utilice protección ocular durante la recarga de combustible.
- Nunca utilice gasolina como agente de limpieza.
- Almacene los recipientes que contienen gasolina en una zona bien ventilada, alejada de los combustibles o las fuentes de encendido.
- Controle si hay pérdidas de combustible después de la recarga de combustible. Nunca opere el motor si se descubre que hay una fuga de combustible.

ADVERTENCIA



Nunca opere el generador si se sobrecalientan los componentes eléctricos, si cae la salida de energía eléctrica, si salen chispas, llamas o humo del generador, o si los receptáculos están calientes.



Nunca use el generador para alimentar equipos de asistencia médica.



Siempre retire del generador las herramientas u otros equipos de servicio que se utilicen durante el mantenimiento antes de usarlo.

AVISO

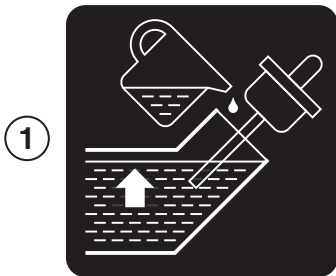
Nunca modifique el generador.

Nunca utilice el generador si vibra a altos niveles, si la velocidad del motor cambia significativamente o si el motor falla con frecuencia al encender.

Siempre desconecte las herramientas y los artefactos del generador antes del encendido.

SEGURIDAD

ETIQUETAS Y CALCOMANÍAS DE SEGURIDAD



⚠ DANGER
 USING A GENERATOR INDOORS CAN KILL YOU IN MINUTES. GENERATOR EXHAUST CONTAINS CARBON MONOXIDE. THIS IS A POISON YOU CANNOT SEE OR SMELL.

⚠ PELIGRO
 USAR EL GENERADOR EN INTERIORES LO PUEDE MATAR EN MINUTOS. EL ESCAPE DEL GENERADOR CONTIENE MONÓXIDO DE CARBONO. ESTE GAS ES UN VENENO QUE NO SE PUEDE VER NI OLER.

NEVER USE INSIDE A HOME OR GARAGE, EVEN IF DOORS AND WINDOWS ARE OPEN.

ONLY USE OUTSIDE AND FAR AWAY FROM WINDOWS, DOORS, AND VENTS.

NUNCA USE EL GENERADOR DENTRO DEL HOGAR O EL GARAJE, AUN SI LAS PUERTAS Y VENTANAS ESTÁN ABIERTAS. SOLO USO EN EXTERIORES Y LEJOS DE VENTILACIONES PUERTAS Y VENTANAS ABIERTAS.

3 **Westinghouse**

Model Number	Engine RPM	3600	Serial Number
Part Number	Frequency	60 Hz	
Phase	Power Output		
AC Voltage	Fuel	Gasoline	

WESTPRO POWER SYSTEMS
Pewaukee, WI 53072 USA

Designed in Pewaukee, WI USA Made in China Diseñado en Pewaukee, WI USA Hecho en China

4 **⚠ WARNING**
 HOT SURFACES

⚠ ADVERTENCIA
 SUPERFICIES CALIENTES



Figura 1





1

⚠ WARNING		⚠ ADVERTENCIA
HOT SURFACES		SUPERFICIES CALIENTES

2

⚠ WARNING NEVER FUEL OR SERVICER WHEN RUNNING. ALWAYS STOP THE ENGINE AND ALLOW IT TO COOL DOWN BEFORE ADDING FUEL. ALWAYS USE THE CORRECT FUEL. ALWAYS FOLLOW THE INSTRUCTIONS ON THE FUEL TANK.	
⚠ ADVERTENCIA NUNCA ABASTE O SERVICIE CUANDO ESTE EN MARCHA. SIEMPRE DETIENE EL MOTOR Y ESPERA QUE SE ENFRIE ANTES DE AGREGAR COMBUSTIBLE. NUNCA TOQUE LAS SUPERFICIES CALIENTES. LOS GENERADORES PRESENTAN UN RIESGO DE CHOQUE ESPECIALMENTE EN CASO DE OPERAR EN CONDICIONES HÚMEDAS O MOJADAS. MANTENGA EL GENERADOR Y SE ALMACENA EL COMBUSTIBLE AJEJADO DEL FUEGO, CHISPAS O CIGARRILLOS. NUNCA CONECTE AL SISTEMA ELÉCTRICO DE UN EDIFICIO A MENOS QUE UN INTERRUPTOR DE TRANSFERENCIA HA SIDO INSTALADO POR UN ELECTRICISTA CERTIFICADO.	

3

⚠ DANGER	⚠ PELIGRO
Read the owner's manual and follow all safety procedures prior to operating the generator. Failure to follow these instructions may lead to serious injury, property damage or death. Never add fuel to generator when the engine is hot or running. Never allow fuel to come in contact with running engine or hot generator parts. Always allow engine to cool down before adding fuel. Never touch hot surfaces. Generators pose risk of shock especially if operated in damp or wet conditions. Keep generator and stored fuel away from fire, sparks and cigarettes. Never connect to a building's electrical system unless a transfer switch has been installed by a certified electrician.	Lea el manual del propietario y siga todos los procedimientos de seguridad antes de hacer funcionar el generador. El incumplimiento de estas instrucciones puede causar lesiones graves, daños a la propiedad o la muerte. Nunca agregue combustible al generador cuando el motor está caliente o en marcha. Nunca permitir que el combustible entre en contacto con el motor en marcha o partes calientes del generador. Siempre permita que el motor se enfríe antes de agregar combustible. Nunca toque las superficies calientes. Generadores presentan un riesgo de choque especialmente en caso de operar en condiciones húmedas o mojadas. Mantenga el generador y se almacena el combustible alejado del fuego, chispas o cigarrillos. Nunca conecte al sistema eléctrico de un edificio a menos que un interruptor de transferencia ha sido instalado por un electricista certificado.

4

MAINTAIN AIR CLEANER Rinse with cleansing solvent and dry once every 50 hours (every 10 hours if operating in dusty conditions) and then coat with clean engine oil. Squeeze out excessive oil.	MANTENGA EL FILTRO DE AIRE Limpielo según las instrucciones en el manual del usuario y séquelo una vez cada 50 horas (o cada 10 horas en condiciones cuando haya mucho polvo) luego cubra en aceite de motor limpio hasta saturado, exprima el exceso de aceite.	FUEL OFF ON
---	--	---------------------------

5

⚠ WARNING	⚠ ADVERTENCIA
The engine exhaust from this product contains chemicals known to the State of California to cause cancer, birth defects or other reproductive harm.	El escape del motor de este producto contiene químicos que el Estado de California considera como posibles causas de cáncer, defectos de nacimiento u otros daños reproductivos.

Figura 2

DESEMBALAR

PROCEDIMIENTO PARA DESEMBALAR EL GENERADOR

⚠ PRECAUCIÓN



Siempre debe solicitar ayuda para levantar el generador. El generador es pesado, levantarlo puede causarle lesiones físicas.



Evite cortar sobre o cerca de grapas para evitar lesiones personales.

Herramientas requeridas: trincheta o dispositivo similar.

1. Corte con cuidado la cinta de embalar que está en la parte superior de la caja.
2. Pliegue las aletas superiores para dejar a la vista el manual.
3. Saque la caja de cartón de los accesorios del kit de las ruedas.
4. Corte con cuidado dos costados de la caja para extraer el generador.

CAJA DE ACCESORIOS DEL KIT DE LAS RUEDAS

Abra la caja de los accesorios del kit de las ruedas y controle el contenido con la lista que se incluye a continuación. Si falta alguna pieza, ubique a un distribuidor autorizado de Westinghouse Generator en www.westpropower.com o llame al 1-855-WHHELP1 (1-855-944-3571).

Componentes:

Ruedas (2)	Botella de un litro
Manijas con empuñaduras (2)	Aceite SAE 10W30 (1)
Bolsa de herramientas (1)	Pie de montaje (1)
Llave de cubo para bujías (1)	Embudo de aceite (1)
Botella de un 0,6 litro	Cable de suministro, si viene equipado
Aceite SAE 10W30 (1)	
(WH3250 modelo)	

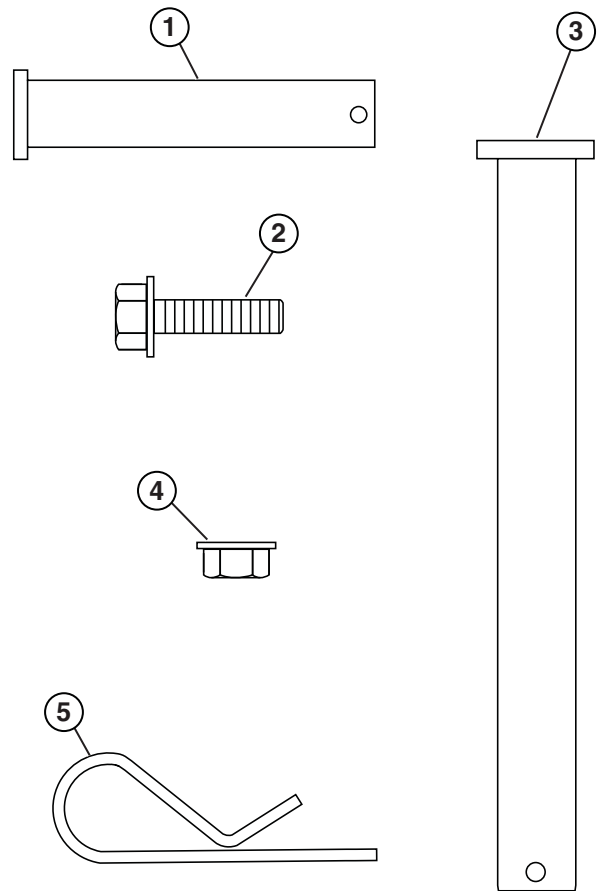


Figura 3 – Elementos de ferretería del kit de las ruedas

- | | |
|--|---|
| 1 - Pasador de horquilla 50 x 10 mm (se usan 2) | 4 - Contratuerca de cierre M8 (se usan 2) |
| 2 - Perno de brida M8 x 18 mm (se usan 2) | 5 - Chaveta de horquilla (se usan 4) |
| 3 - Pasador del eje de la rueda 16 mm x 105 mm (se usan 2) | |

MONTAJE



Antes de ensamblar el generador, revise *Seguridad en la página 7* y los siguientes mensajes de seguridad.

⚠ PRECAUCIÓN



Nunca levante el generador sin ayuda. El generador es pesado y levantarlo sin ayuda podría causarles lesiones personales.



Nunca utilice las manijas como punto de elevación para sostener todo el peso del generador. Utilice las manijas sólo para mover el generador levantando las manijas y usando las ruedas para mover el generador.



Sea precavido al plegar las manijas. Podrían quedarle atrapados las manos y los dedos y ser apretados.

AVISO

El ensamblado del generador requerirá elevar la unidad sobre un costado. Asegúrese de que todo el aceite del motor y el combustible se drenen de la unidad antes del ensamblado.

Una vez montado, el kit de las ruedas no está diseñado para usarse en carreteras. El kit de las ruedas está diseñado para usarse únicamente en este generador.

Herramientas requeridas: bolsa de herramientas (se incluye).

1. Coloque el generador sobre una superficie plana.
2. Coloque un trozo de cartón u otro material blando para inclinar el generador sobre él, a fin de proteger la pintura del bastidor y evitar que el generador se deslice. Incline el generador de costado como se indica en la *Figura 4* (el motor debe estar en la base).



Figura 4 – Incline el generador de costado

MONTAJE

3. Coloque el pie de montaje en el bastidor usando pernos de brida y tuercas M8.

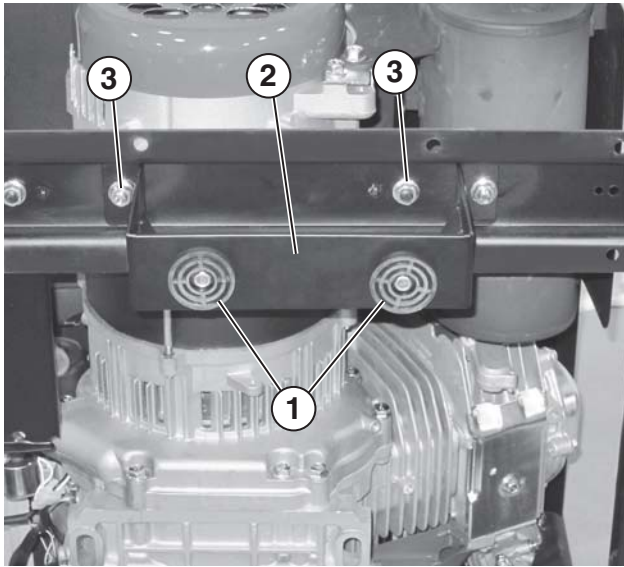


Figura 5 – Ensamble el pie de montaje al bastidor

- | | |
|--------------------|----------------------------------|
| 1 - Tacos de goma | 3 - Pernos de brida y tuercas M8 |
| 2 - Pie de montaje | |
4. Coloque el pasador del eje de 16 mm x 105 mm por entre el soporte del eje en el bastidor.
 5. Coloque la chaveta de horquilla por entre el pasador del eje.



Figura 6 – Ensamble las ruedas al bastidor

- | | |
|---------------------|-----------------------------|
| 1 - Soporte del eje | 2 - Tuerca de brida dentada |
|---------------------|-----------------------------|

6. Coloque las manijas usando el pasador de horquilla y la chaveta de horquilla como se indica en la Figura 7.

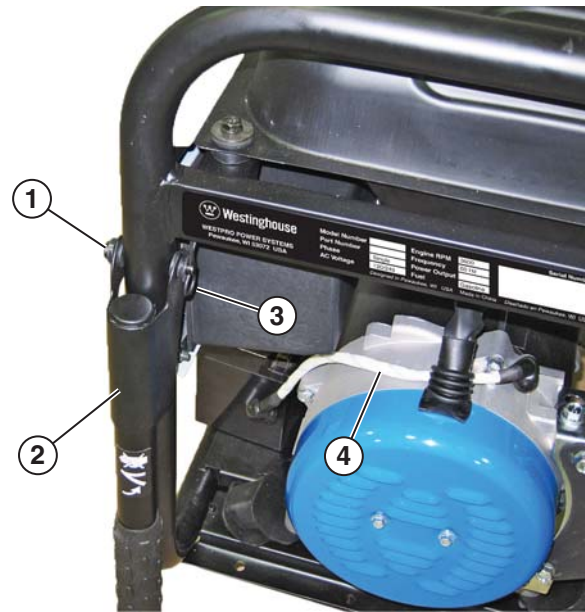


Figura 7 – Colocación de las manijas

- | | |
|--------------------------|-------------------------------|
| 1 - Pasador de horquilla | 3 - Chaveta de horquilla |
| 2 - Manija | 4 - Cable de batería negativo |

INSTALACIÓN DE LA BATERÍA (SÓLO PARA GENERADORES CON ARRANQUE ELÉCTRICO)

⚠ ADVERTENCIA



Para evitar descargas eléctricas:

- SIEMPRE conecte primero el cable positivo (+) (capuchón rojo) de la batería cuando conecte los cables de la batería.
- SIEMPRE desconecte primero el cable negativo (-) (capuchón negro) de la batería cuando desconecte los cables de la batería.
- NUNCA conecte el cable negativo (-) (capuchón negro) de la batería al terminal positivo (+) de la batería.
- NUNCA conecte el cable positivo (+) (capuchón rojo) de la batería al terminal negativo (-) de la batería.
- NUNCA conecte ambos terminales de la batería simultáneamente.
- NUNCA coloque una herramienta metálica cruzando ambos terminales de la batería.
- SIEMPRE use herramientas aisladas o no conductoras cuando instale la batería.

NOTA: El generador viene equipado con el cable de batería positivo (capuchón rojo) ya conectado.

1. Verifique que el cable positivo (+) de la batería (capuchón rojo) esté bien ajustado al terminal positivo (+) de la batería. Compruebe que el capuchón quede sobre el terminal de la batería.
2. Quite con cuidado la envoltura protectora que rodea la lengüeta del cable negativo (-) de la batería (capuchón negro).
3. Localice el cable negativo (-) acoplado a cable del alternador, retire conexión y canalice al terminal de la batería negativa (-).
4. Tire hacia atrás el capuchón negro y sujete bien el cable negro (-) de la batería (capuchón negro) al terminal negativo (-) de la batería como se indica en la *Figura 8*. Reponga el capuchón negro para que proteja la lengüeta del cable y el terminal de la batería.

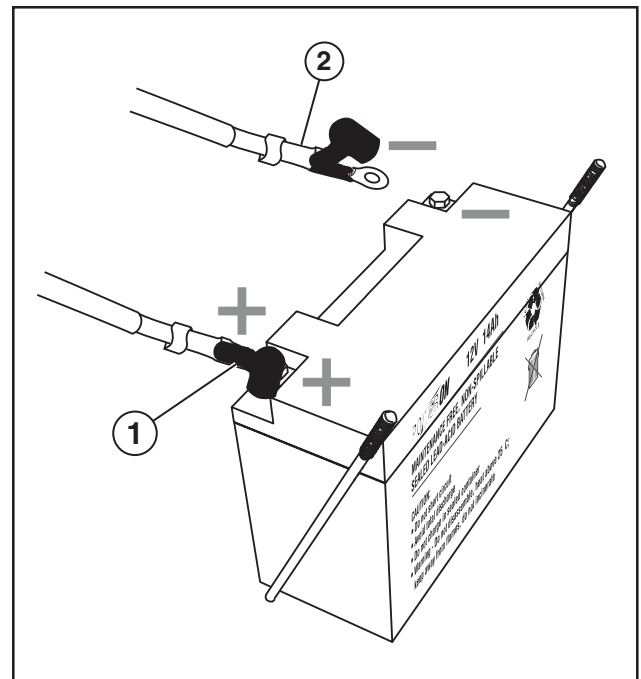


Figura 8 – Conexión del cable (negro) negativo (-) de la batería

1 - Cable (rojo) positivo (+) de la batería

2 - Cable (negro) negativo (-) de la batería

CARACTERÍSTICAS

CARACTERÍSTICAS GENERALES DEL GENERADOR



Figura 9

- 1 - Interruptor de control del motor:** Enciende y apaga el motor.
- 2 - Tapón del combustible:** Cierre hasta que se escuche un clic.
- 3 - Panel de control:** Contiene los interruptores y los tomacorrientes.
- 4 - Silenciador y amortiguador de chispas:** Evite el contacto hasta que el motor se haya enfriado. El amortiguador de chispas evita que las chispas salgan del silenciador. Se debe extraer para realizar el mantenimiento.
- 5 - Batería:** Únicamente para los modelos con arranque eléctrico.
- 6 - Tapón de llenado/Varilla de medición de aceite:** Se debe quitar para agregar y controlar el aceite.
- 7 - Tapón de drenaje del aceite:** Se debe quitar para drenar el aceite del motor.



Figura 10

- 1 - **Indicador de combustible:** Indica el nivel de combustible.
- 2 - **Válvula de cierre del combustible:** Controla el flujo de combustible hacia el motor.
- 3 - **Manija de retroceso:** Debe jalarsse para arrancar el motor de las unidades con arranque manual.
- 4 - **Cubierta del filtro de aire:** Se debe quitar para realizar el mantenimiento del filtro de aire.
- 5 - **Palanca del cebador:** Debe estar en la posición **ON (encendido)** para encender el motor y se debe regresar a la posición **OFF (apagado)** una vez que el motor esté en marcha.
- 6 - **Caja de carbono:** Los números de modelo seguidos de una "C" vendrán equipados con una caja de carbono.
- 7 - **Capuchón (cable) de la bujía:** Se debe quitar cuando se realiza el mantenimiento del motor o de la bujía.

CARACTERÍSTICAS DEL PANEL DE CONTROL

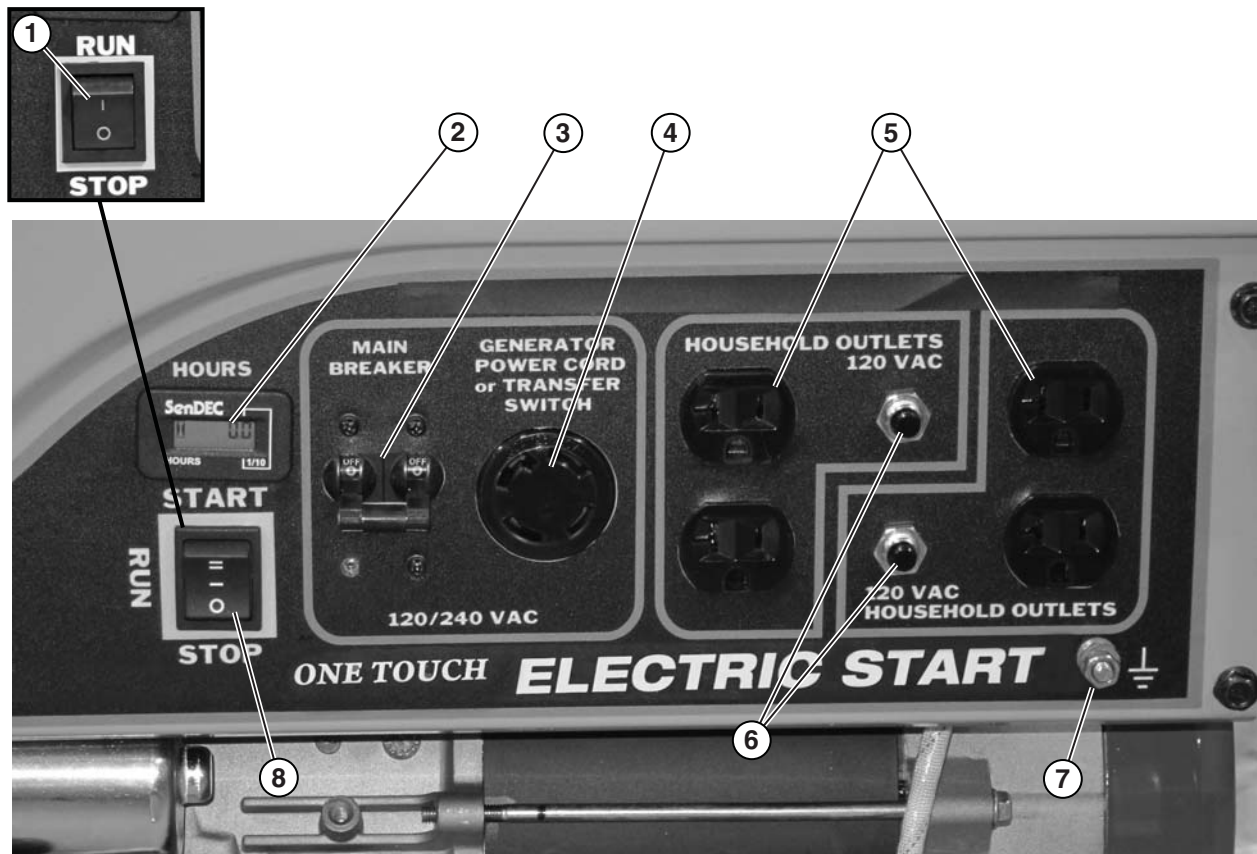


Figura 11 – Características del panel de control

- 1. Interruptor de control del motor (RUN [funcionamiento]/STOP [detención] para unidades con arranque manual):**
 - **RUN (funcionamiento)** - En la posición **RUN (funcionamiento)**, el interruptor permite encender el generador (para los modelos con arranque manual).
 - **STOP (detención)** - En la posición **STOP (detención)**, el interruptor para el motor.
- 2. Medidor de horas:** Indica cuantas horas el generador ha estado en marcha bajo carga.
- 3. Disyuntor principal:** El disyuntor principal controla la potencia de salida total de todos los tomacorrientes para proteger al generador.
- 4. Tomacorriente de giro de seguridad de 120/240 Voltios, 30 Amperios (NEMA L14-30R):** El tomacorriente puede suministrar 120 V o 240 V de potencia de salida.
- 5. Tomacorrientes de 120 Voltios, 20 Amperios Duplex (NEMA 5-20R):** Cada tomacorriente tiene capacidad de suministrar un máximo de 20 amperios en un único receptáculo o una combinación de ambos receptáculos.
- 6. Disyuntores de 20 Amperios:** Cada disyuntor limita la corriente que se puede suministrar a través de los tomacorrientes duplex de 120 Voltios a 20 Amperios.
- 7. Terminal de tierra:** El terminal de tierra se usa para conectar el generador a tierra.
- 8. Interruptor de control del motor (START [encendido]/RUN [funcionamiento]/STOP [detención] para las unidades con arranque eléctrico):**
 - **START (encendido)** - Cuando se oprime el interruptor momentáneamente y se lo mantiene en la posición **START (encendido)**, el motor de arranque eléctrico se engrana y arranca el motor. Después de que el motor arranque, suelte el interruptor. (El interruptor pasará automáticamente a la posición **RUN (funcionamiento)**).
 - **RUN (funcionamiento)** - Después del arranque, el interruptor permanecerá en la posición **RUN (funcionamiento)**.
 - **STOP (detención)** - Para detener el motor, mueva el interruptor a la posición **STOP (detención)**.

ANTES DE ENCENDER EL GENERADOR



Antes de encender el generador, revise *Seguridad en la página 7.*

Elección de la ubicación: Antes de poner en marcha el generador, evite los peligros relacionados con el escape y la ubicación, para lo cual debe verificar:

- Que se haya seleccionado una ubicación para operar el generador que sea en exteriores y esté bien ventilada.
- Que se haya seleccionado una ubicación con una superficie nivelada y sólida sobre la cual colocar el generador.
- Que se haya seleccionado una ubicación que esté al menos a 6 pies (1,8 metros) de cualquier edificio, otros equipos o materiales combustibles.
- Si el generador está ubicado cerca de un edificio, compruebe que no esté ubicado cerca de ventanas, puertas y/o ventilaciones.

▲ DANGER		▲ PELIGRO	
USING A GENERATOR INDOORS CAN KILL YOU IN MINUTES. GENERATOR EXHAUST CONTAINS CARBON MONOXIDE. THIS IS A POISON YOU CANNOT SEE OR SMELL.		USAR EL GENERADOR EN INTERIORES LO PUEDE MATAR EN MINUTOS. EL ESCAPE DEL GENERADOR CONTIENE MONÓXIDO DE CARBONO. ESTE GAS ES UN VENENO QUE NO SE PUEDE VER NI OLER.	
<p>NEVER USE INSIDE A HOME OR GARAGE, EVEN IF DOORS AND WINDOWS ARE OPEN.</p>	<p>ONLY USE OUTSIDE AND FAR AWAY FROM WINDOWS, DOORS, AND VENTS.</p>	NUNCA USE EL GENERADOR DENTRO DEL HOGAR O EL GARAJE, AÚN SI LAS PUERTAS Y VENTANAS ESTÁN ABIERTAS. SOLO USELO EN EXTERIORES Y LEJOS DE VENTILACIONES, PUERTAS Y VENTANAS ABIERTAS.	

⚠️ ADVERTENCIA



Opere siempre el generador sobre una superficie nivelada. Si se coloca un generador sobre superficies que no están niveladas puede tumbarse, derramando combustible y aceite. El combustible derramado puede encenderse si entra en contacto con una fuente de ignición como una superficie muy caliente.

AVISO

Sólo debe operar el generador sobre una superficie sólida y nivelada. La operación de un generador sobre una superficie en la que hay materiales sueltos como arena o recortes de césped puede hacer que ingresen residuos al generador que podrían:

- Obstruir las ventilaciones de refrigeración.
- Obstruir el sistema de admisión de aire.

Clima: Nunca opere el generador en exteriores si llueve, nieva o si están presentes condiciones climáticas que favorecen la acumulación de humedad, sobre, adentro y alrededor del generador.

Superficie seca: Opere siempre el generador sobre una superficie seca, libre de humedad.

No debe haber cargas conectadas: Compruebe que el generador no tenga cargas conectadas antes de encenderlo. Para asegurar que no haya cargas conectadas, desenchufe los prolongadores eléctricos que estén enchufados en los receptáculos del panel de control.

AVISO

Si se enciende el generador con cargas aplicadas al mismo, durante el breve período de puesta en marcha podrían dañarse los artefactos que se accionan con el generador.

Conexión a tierra del generador: El Código Eléctrico Nacional (NEC, en inglés), así como numerosos códigos eléctricos locales, exigen que se conecte el generador a tierra antes de su operación. Antes de poner en marcha el generador, compruebe que esté conectado a tierra conectando el terminal de tierra del panel de control (vea la Figura 12) a tierra usando alambre de cobre (10 AWG como mínimo). Consulte a un electricista calificado para conocer los requisitos de conexión a tierra locales.



Figura 12 – Terminal de conexión a tierra del panel de control

⚠ ADVERTENCIA

⚡ Asegúrese de que el generador esté correctamente conectado a tierra antes de usarlo. El generador se debe conectar a tierra para evitar descargas eléctricas causadas por artefactos defectuosos.

CABLE DE SUMINISTRO

Utilización de los prolongadores

Westpro Power Systems no se responsabiliza por el contenido en esta tabla. El uso de esta tabla es responsabilidad exclusiva del usuario. Esta tabla es únicamente para fines de referencia. No se garantiza que los resultados al utilizar esta tabla sean correctos o aplicables a todas las situaciones dado que el tipo y la construcción de los cables son muy variables. Siempre verifique las regulaciones locales y consulte con un electricista matriculado antes de instalar o conectar un artefacto eléctrico.

Tamaño del espesor del alambre del prolongador

AMPS	LONGITUD DEL PROLONGADOR (pies)								
	10	20	30	40	50	60	80	100	120
5	20	18	16	14	12	12	10	10	8
10	18	16	14	12	12	10	10	8	8
15	16	14	12	12	10	10	8	8	6
20	14	12	12	10	10	8	8	6	6
25	12	12	10	10	8	8	6	6	6
30	12	10	10	8	8	6	6	6	6
35	10	10	8	8	6	6	6	6	6

Uso del cable de suministro Westinghouse

Utilice el cuadro del prolongador a fin de determinar el tamaño del conductor para las aplicaciones del prolongador. Determine la distancia del generador al artefacto en la línea superior del cuadro. Luego seleccione los amperios nominales del generador en el lado izquierdo del cuadro. Donde los dos se unen es el tamaño del conductor que se requiere para la aplicación.

El cable de suministro WCG25 está conectado al generador en el enchufe de 120/240. El extremo opuesto del cable de suministro está en un receptáculo en abanico con 2 receptáculos verdes y 2 receptáculos rojos. Cada receptáculo tiene una capacidad nominal de 120 voltios CA. Para equilibrar la carga del alternador del generador, utilice los identificadores de color rojo y verde del receptáculo en abanico. Para mantener la carga equilibrada, conecte las cargas de manera que se usen los receptáculos de ambos colores. Un ejemplo es uno en rojo y uno en verde. No conecte 2 en rojo y ninguno en verde, tampoco 2 en verde y ninguno en rojo. Si se utilizan receptáculos de solo de un color con cargas múltiples, el alternador puede experimentar una carga desequilibrada, lo cual produciría vibraciones indebidas del generador.



Figura 13

1 - Puntos verdes 2 - Puntos rojos

CONEXIONES DEL INTERRUPTOR DE TRANSFERENCIA

El generador Westinghouse está conectado con el neutro unido a tierra. Si conecta el generador a un interruptor de transferencia, el electricista debe determinar primero qué tipo de interruptor de transferencia se utiliza. Los interruptores de transferencia para este equipo son bipolares o tripolares.

Si el interruptor de transferencia es bipolar, no intercambiará el neutro del generador que conecta al tablero de servicio. Esto significa que el generador estará a tierra al tablero de servicio. Para usar el generador con interruptores de transferencia bipolares, el electricista deberá cambiar el neutro de unido a flotante.

Para hacerlo, se debe extraer el cable de conexión auxiliar que conecta la tierra del alternador al neutro del alternador. Extraiga el cable de conexión auxiliar y reajuste las conexiones. Conserve el cable de conexión auxiliar con el manual del propietario en caso de que necesite usarlo en el futuro cuando no esté conectado a un interruptor de transferencia.

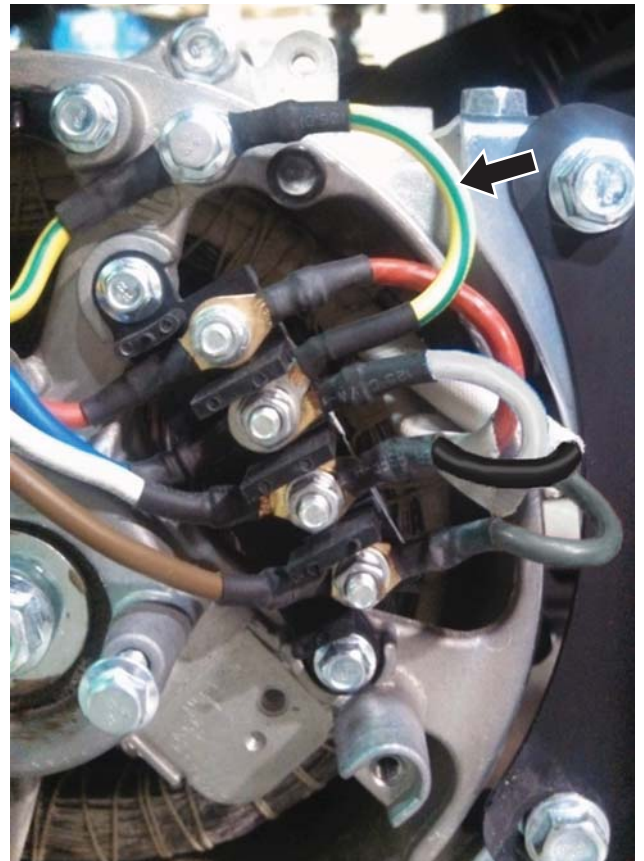


Figura 14

FUNCIONAMIENTO

PROCEDIMIENTO PARA AGREGAR/CONTROLAR EL COMBUSTIBLE Y LOS LÍQUIDOS DEL MOTOR



Antes de agregar/controlar el combustible y los líquidos del motor, revise *Seguridad en la página 7*.

PELIGRO



Si se carga el depósito de combustible con gasolina mientras el generador está en marcha, se pueden provocar pérdidas de gasolina que pueden entrar en contacto con superficies calientes que pueden encender la gasolina.

Antes de encender el generador, controle siempre el nivel de:

- Aceite de motor
- Gasolina en el depósito de combustible.

Después de encender el generador y de que se caliente el motor, no es seguro agregar gasolina al depósito de combustible ni aceite de motor al motor mientras el motor está en funcionamiento o mientras el motor y el silenciador están calientes.

Procedimiento para controlar y/o agregar el aceite para motor

ADVERTENCIA



La presión interna puede acumularse en el cárter del motor mientras el motor está en marcha. Si se extrae el tapón de llenado/la varilla de medición del aceite mientras el motor está caliente, se puede salpicar aceite extremadamente caliente hacia el exterior del cárter que puede producir quemaduras graves en la piel. Deje que se enfríe el aceite del motor durante varios minutos antes de extraer el tapón de llenado/la varilla de medición del aceite.

La unidad como se envía no contiene aceite en el motor. Debe agregar aceite del motor antes de encender el generador por primera vez. Vea *Procedimiento para controlar el aceite del motor en la página 28* y *Procedimiento para agregar el aceite del motor en la página 29* para obtener instrucciones sobre el control del nivel de aceite del motor y el procedimiento para agregar el aceite del motor.

AVISO

El generador no contiene aceite de motor cuando se envía. Si se intenta encender el motor sin agregarle aceite de motor, se pueden dañar de forma permanente los componentes internos del motor.

Procedimiento para agregar gasolina al depósito de combustible

ADVERTENCIA



Nunca haga la recarga de combustible del generador mientras el motor está en marcha.



Siempre debe apagar el motor y dejar que el generador se enfríe antes de recargar combustible.

Gasolina requerida: Sólo debe usar gasolina que cumpla con los siguientes requisitos:

- Gasolina sin plomo únicamente
- Gasolina con etanol agregado hasta un máximo del 10%
- Gasolina con 87 de octanaje o superior

Procedimiento para cargar el depósito de combustible: Siga los pasos a continuación para cargar el depósito de combustible:

1. Apague el generador.
2. Permita que el generador se enfríe de manera que toda la superficie del silenciador y el motor esté fresca al tacto.
3. Traslade el generador a una superficie plana.
4. Limpie la zona que rodea al tapón de combustible.
5. Quite el tapón de combustible girándolo en sentido contrario a las agujas del reloj.
6. Agregue gasolina lentamente dentro del depósito de combustible. Tenga mucho cuidado de no llenar el depósito en exceso. La gasolina NO debe ser superior al indicador de nivel de color rojo dentro de la boca de llenado (vea la Figura 15).

7. Instale el tapón de combustible girándolo en el sentido de las agujas del reloj hasta que se escuche un clic que indica que el tapón está completamente instalado.

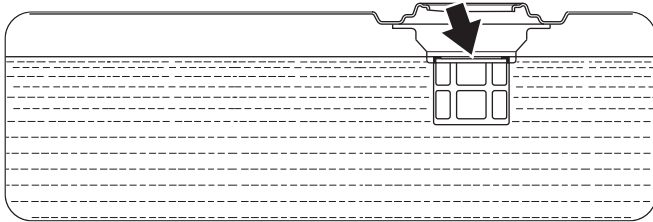


Figura 15 – Nivel máximo de carga de gasolina

PRECAUCIÓN



Evite el contacto prolongado de la piel con la gasolina. Evite respirar durante períodos prolongados los vapores de la gasolina.

ENCENDIDO DEL GENERADOR



Antes de encender el generador, revise *Seguridad en la página 7*.

Antes de intentar encender el generador, verifique lo siguiente:

- El motor se carga con aceite de motor (vea *Procedimiento para controlar el aceite del motor en la página 28*).
- El generador se ubica en un lugar adecuado (vea *Elección de la ubicación en la página 19*).
- El generador está sobre una superficie seca (vea *Clima y Superficie seca en la página 19*).
- Se desconectan todas las cargas del generador (vea *No debe haber cargas conectadas en la página 19*).
- El generador está adecuadamente conectado a tierra (vea *Conexión a tierra del generador en la página 19*).

PELIGRO



Nunca use el generador en lugares mojados o húmedos. Nunca exponga el generador a lluvia, nieve, rociado de agua o agua estancada durante el uso. Proteja el generador de todas las condiciones climáticas peligrosas. La humedad o el hielo pueden causar un cortocircuito u otro tipo de problema de funcionamiento en el circuito eléctrico.

PELIGRO



Nunca opere el generador en un lugar cerrado. El escape del motor contiene monóxido de carbono. Sólo debe operar el generador en exteriores y alejado de ventanas, puertas y ventilaciones.

AVISO

El motor cuenta con un interruptor de desconexión por nivel bajo de aceite. Si el nivel del aceite es bajo, el motor se apagará y no se encenderá hasta que se cargue aceite hasta el nivel adecuado.

Asegúrese de que el motor tenga el nivel de aceite adecuado antes de usarlo. Si no se verifica que el motor tenga el nivel de aceite adecuado se podría dañar el motor.

Desconecte todas las cargas del generador antes de encenderlo. Si no se verifica que todas las cargas estén desconectadas antes de encender el generador se podrían dañar los artefactos que estén conectados.

Arranque manual del generador

NOTA: Este procedimiento también se puede utilizar en un generador con arranque eléctrico.

1. Compruebe que los disyuntores estén configurados adecuadamente (vea la *Figura 16*).

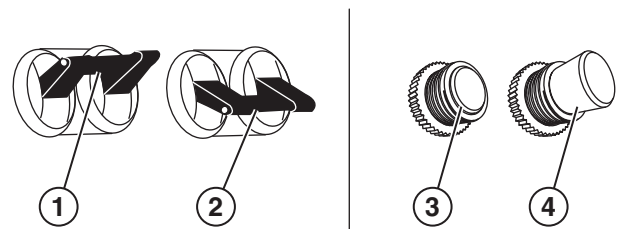


Figura 16 – Disyuntores

1 - Posición de funcionamiento del disyuntor principal de 240/120 V

2 - Posición de activación del disyuntor principal de 240/120 V

3 - Posición de funcionamiento del disyuntor de 120 V

4 - Posición de activación del disyuntor de 120 V

FUNCIONAMIENTO

- Mueva la válvula de cierre del combustible hasta la posición **ON (encendido)** (vea la Figura 17).



Figura 17 – Válvula de cierre del combustible en la posición **ON (encendido)**

- Mueva la palanca del cebador a la posición **ON (encendido)** (vea la Figura 18).



Figura 18 – Palanca del cebador

- Empuje el interruptor de control del motor hasta la posición **RUN (funcionamiento)** (vea la Figura 19).

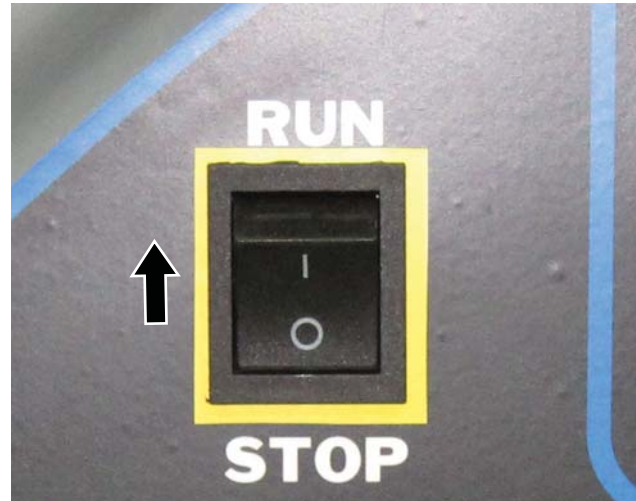


Figura 19 – Interruptor de control del motor

- Tome con firmeza y tire de la manija de retroceso lentamente hasta que sienta que aumenta la resistencia. En este punto, dé un tirón rápido mientras tira hacia arriba y alejándose ligeramente del generador (vea la Figura 20).

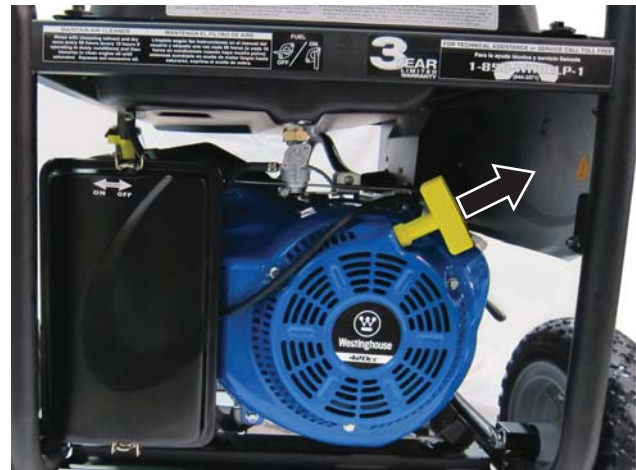


Figura 20

- Mientras el motor se enciende y estabiliza, mueva gradualmente la palanca de cebado nuevamente a la posición **OFF (apagado)**.

Encendido de un generador con arranque eléctrico

1. Verifique que la batería esté adecuadamente instalada y que ambos cables de la batería estén conectados (vea *Instalación de la batería (sólo para generadores con arranque eléctrico)* en la página 15).
2. Compruebe que los disyuntores estén configurados adecuadamente (vea la *Figura 21*).

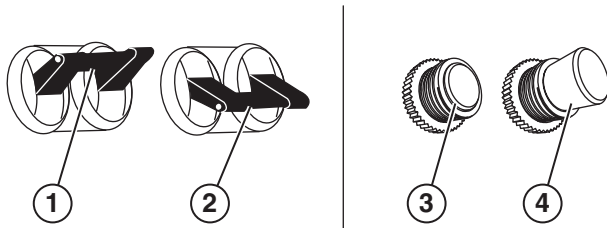


Figura 21 – Disyuntores

- | | |
|---|---|
| <p>1 - Posición de funcionamiento del disyuntor principal de 240/120 V</p> <p>2 - Posición de activación del disyuntor principal de 240/120 V</p> | <p>3 - Posición de funcionamiento del disyuntor de 120 V</p> <p>4 - Posición de activación del disyuntor de 120 V</p> |
|---|---|
3. Mueva la válvula de cierre del combustible hasta la posición **ON (encendido)** (vea la *Figura 22*).



Figura 22 – Válvula de cierre del combustible en la posición **ON (encendido)**

4. Mueva la palanca del cebador a la posición **ON (encendido)** (vea la *Figura 23*).



Figura 23 – Palanca del cebador

5. Oprima y mantenga apretado el interruptor de control del motor en la posición **START (encendido)** hasta que el motor arranque. Después de que se encienda el motor, suelte el interruptor de control del motor; se moverá automáticamente a la posición **RUN (funcionamiento)** (vea la *Figura 24*).

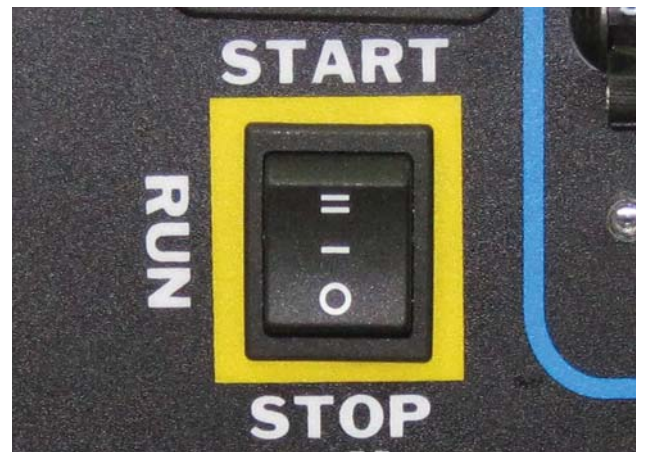


Figura 24 – Interruptor de control del motor

AVISO

Si no se suelta el interruptor de control del motor después del encendido del motor, se podría dañar el generador.

Nunca empuje el interruptor de control del motor hasta la posición **START (encendido)** mientras el motor está en marcha; esto podría dañar el generador.

FUNCIONAMIENTO

6. Mientras el motor se enciende y estabiliza, mueva gradualmente la palanca de cebado nuevamente a la posición **OFF (apagado)**.

NOTA: Si el motor no arranca después de 5 segundos, suelte el interruptor de control del motor. Deje que el generador quede inactivo durante 15 segundos y luego repita el paso 5. Si la velocidad de arranque se reduce luego de cada intento fallido, es posible que la batería no esté bien cargada. Arranque el generador manualmente como se indica en *Arranque manual del generador en la página 23*.

NOTA: El generador de arranque eléctrico está equipado con una función de carga de baterías. Después de que el motor esté en funcionamiento, se suministra una pequeña carga a la batería a través de los cables de la batería y se la recarga lentamente.

DETENCIÓN DEL GENERADOR

Funcionamiento normal

Durante el funcionamiento normal, use los siguientes pasos para detener el generador:

1. Retire las cargas conectadas de los receptáculos del panel de control.
2. Deje que el generador funcione “sin carga” para reducir y estabilizar las temperaturas del motor y el alternador.
3. Oprima el interruptor de control del motor hasta la posición **OFF (apagado)**.
4. Cambie la válvula de cierre del combustible a la posición **OFF (apagado)**.

Durante una emergencia

Si surge una emergencia y se debe detener el generador rápidamente, oprima el interruptor de control del motor hasta la posición **OFF (apagado)** de inmediato.

MANTENIMIENTO



Antes de realizar el mantenimiento del generador debe revisar *Seguridad en la página 7* y los siguientes mensajes de seguridad.

⚠️ ADVERTENCIA



Extraiga de la bujía el capuchón de la bujía de encendido para evitar encender accidentalmente el generador durante el mantenimiento. Para los generadores con arranque eléctrico, también debe desconectar de la batería los cables de la batería (desconecte primero el cable negativo (-) de color negro) y ubique los cables alejados de los terminales de la batería para evitar la formación de un arco.



Deje que los componentes calientes se enfríen al tacto antes de realizar los procedimientos de mantenimiento.



La presión interna puede acumularse en el cárter del motor mientras el motor está en marcha. Si se extrae el tapón de llenado/la varilla de medición del aceite mientras el motor está caliente, se puede salpicar aceite extremadamente caliente hacia el exterior del cárter que puede producir quemaduras graves en la piel. Deje que se enfríe el aceite del motor durante varios minutos antes de extraer el tapón de llenado/la varilla de medición del aceite.



Siempre debe realizar el mantenimiento en una zona bien ventilada. La gasolina y los vapores del combustible son extremadamente inflamables y pueden encenderse en ciertas condiciones.

⚠️ PRECAUCIÓN



Evite que la piel esté en contacto con el aceite del motor o la gasolina. El contacto prolongado de la piel con el aceite del motor o la gasolina puede ser perjudicial. El contacto frecuente y prolongado con el aceite del motor puede causar cáncer de piel. Tome medidas de protección y utilice vestimenta y equipos de protección. Lave con agua y jabón toda la piel que haya quedado expuesta.

Cronograma de mantenimiento

⚠️ ADVERTENCIA



Si no se realiza un mantenimiento periódico o no se realizan procedimientos de mantenimiento el generador puede funcionar mal y podría causar lesiones graves o la muerte.

AVISO

Los intervalos del mantenimiento periódico varían en función de las condiciones de funcionamiento del generador. Si se usa el generador en condiciones adversas, como con cargas elevadas sostenidas, temperaturas elevadas o en entornos inusualmente húmedos o con abundante polvo, será necesario hacer un mantenimiento periódico más frecuente. Los intervalos mencionados en el cronograma de mantenimiento se deben tratar únicamente como una orientación general.

Es importante respetar el cronograma de mantenimiento para mantener el generador en buenas condiciones de funcionamiento. A continuación se incluye un resumen de las tareas de mantenimiento según los intervalos de mantenimiento periódicos.

Tabla 1: Cronograma de mantenimiento - Realizado por el propietario

Tareas de mantenimiento	Antes de cada uso.	Después de las primeras 20 horas o el primer mes de uso.	Después de 50 horas de uso o cada 3 meses.	Después de 100 horas de uso o cada 6 meses.	Después de 300 horas de uso o todos los años.
Aceite de motor	Controlar el nivel	Cambiar	Cambiar	–	–
Características de refrigeración	Controlar/limpiar	–	–	–	–
Filtro de aire	Controlar	–	Limpiar ¹	–	Sustituir
Bujía de encendido	–	–	–	Controlar/limpiar	Sustituir
Amortiguador de chispas	–	–	–	Controlar/limpiar	–

¹ Realice el mantenimiento con mayor frecuencia si se usa en entornos secos y donde abunda el polvo.

Tabla 2: Cronograma de mantenimiento - Realizado por el Distribuidor autorizado de servicio Westinghouse

Tareas de mantenimiento	Antes de cada uso.	Después de las primeras 20 horas o el primer mes de uso.	Después de 50 horas de uso o cada 3 meses.	Después de 100 horas de uso o cada 6 meses.	Después de 300 horas de uso o todos los años.
Separación de la válvula	-	-	-	-	Controlar/ajustar
Filtro de combustible	-	-	-	Controlar/limpiar	-
Velocidad al ralentí	-	-	-	-	Controlar/ajustar

MANTENIMIENTO DEL ACEITE DEL MOTOR

Especificación del aceite del motor

1. Utilice únicamente el aceite del motor que se especifica en la *Figura 25*.
2. Utilice únicamente el aceite de motor de 4 tiempos. NUNCA UTILICE ACEITE DE MOTOR DE 2 TIEMPOS. El aceite sintético es un sustituto aceptable para el aceite convencional.

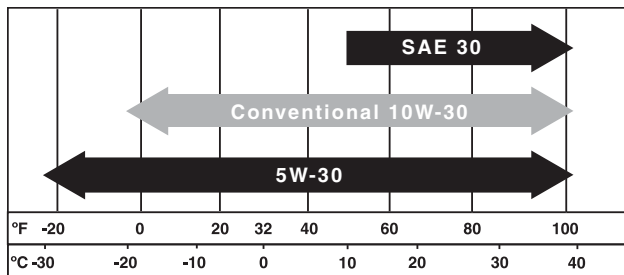


Figura 25 – Aceite recomendado

Procedimiento para controlar el aceite del motor

AVISO

Mantenga siempre un nivel de aceite del motor adecuado. Si no se mantiene el nivel de aceite del motor adecuado se podría dañar gravemente el motor y/o acortar su vida útil.

Siempre use el aceite del motor especificado. Si no se usa el aceite del motor especificado se puede acelerar el desgaste del motor y/o acortar su vida útil.

Se debe controlar el aceite del motor antes de cada uso.

1. Siempre opere o mantenga el generador sobre una superficie plana.
2. Detenga el motor si está en marcha.
3. Deje que el motor quede inactivo y se enfríe durante varios minutos (deje que la presión del cárter se equilibre).
4. Con una tela húmeda, limpie alrededor del tapón de llenado/la varilla de medición del aceite.
5. Retire el tapón de llenado/la varilla de medición del aceite (vea la *Figura 26*).

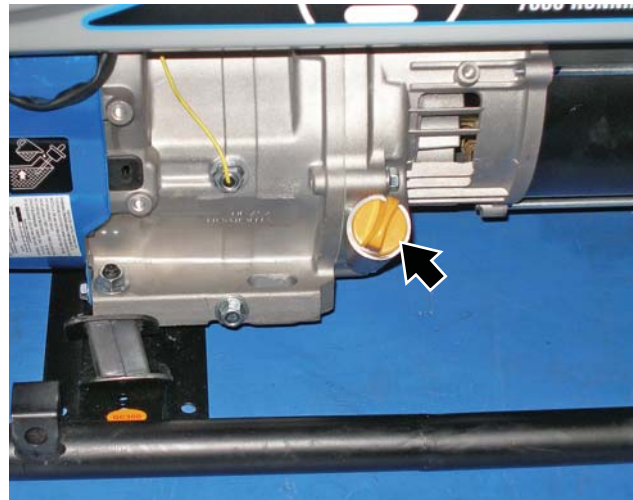


Figura 26 – Tapón de llenado/varilla de medición del aceite

6. Controle el nivel de aceite:
 Cuando controle el nivel de aceite, retire el tapón de llenado/la varilla de medición del aceite y límpielos. Enrosque el tapón de llenado/la varilla de medición del aceite completamente y luego sáquelos para controlar el nivel de aceite del tapón de llenado/la varilla de medición del aceite.
 - Nivel de aceite aceptable: se puede ver el aceite sobre las rayas que hay entre las líneas H (alto) y L (bajo) del tapón de llenado/la varilla de medición del aceite (vea la *Figura 27*).

- Nivel de aceite bajo: el aceite está por debajo de la línea L (bajo) del tapón de llenado/la varilla de medición del aceite.

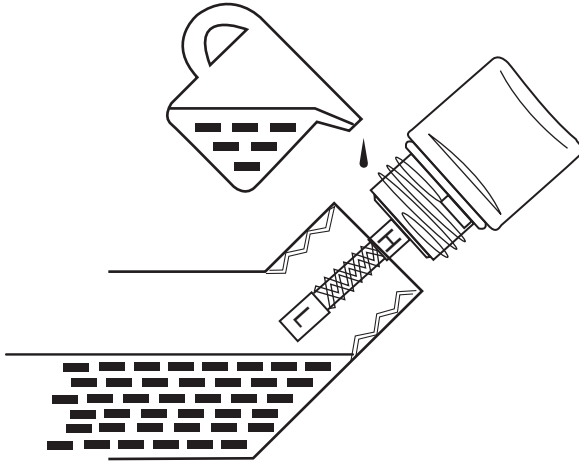


Figura 27 – Control del nivel de aceite

Procedimiento para agregar el aceite del motor

1. Siempre opere o mantenga el generador sobre una superficie plana.
2. Detenga el motor si está en marcha.
3. Deje que el motor quede inactivo y se enfríe durante varios minutos (deje que la presión del cárter se equilibre).
4. Limpie completamente alrededor del tapón de llenado/la varilla de medición del aceite.
5. Retire el tapón de llenado/la varilla de medición del aceite y límpielos.
6. Seleccione el aceite de motor correcto según lo especificado en la Figura 25.
7. Usando el embudo y el tubo suministrado, agregue aceite de motor lentamente al motor. Pare con frecuencia para controlar el nivel y evitar así que se desborde (vea la Figura 28).



Figura 28 – Procedimiento para agregar el aceite del motor

8. Continúe agregando aceite hasta que esté en el nivel correcto. Vea Procedimiento para controlar el aceite del motor en la página 28.

Procedimiento para cambiar el aceite del motor

1. Pare el motor.
2. Deje que el motor quede inactivo y se enfríe durante varios minutos (deje que la presión del cárter se equilibre).
3. Coloque un recogedor de aceite (o un recipiente adecuado) debajo del tapón de drenaje del aceite.
4. Con una tela húmeda, limpie completamente alrededor del tapón de drenaje del aceite.
5. Retire el tapón de drenaje del aceite (vea la Figura 29). Después de hacerlo, coloque el tapón de drenaje del aceite sobre una superficie limpia.

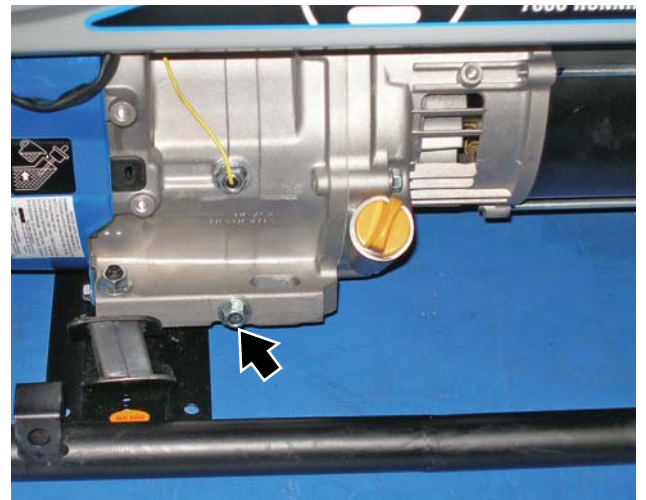


Figura 29 – Tapón de drenaje del aceite

MANTENIMIENTO

6. Retire el tapón de llenado del aceite para que el aceite se pueda drenar más fácilmente del orificio de drenaje del aceite.
7. Deje que se drene totalmente el aceite.
8. Coloque nuevamente el tapón de drenaje del aceite.
9. Llene el cárter de aceite siguiendo los pasos que se detallan en *Procedimiento para agregar el aceite del motor en la página 29*.

AVISO

Nunca deseche el aceite de motor usado arrojándolo en un desagüe, en la tierra o en aguas subterráneas o vías fluviales. Siempre debe ser responsable con el medio ambiente. Siga los lineamientos de la EPA o de otras agencias gubernamentales para el desecho adecuado de materiales peligrosos. Consulte a las autoridades locales o las instalaciones de reciclado.

10. Deseche el aceite de motor usado de manera adecuada.

MANTENIMIENTO DEL FILTRO DE AIRE

⚠ ADVERTENCIA



Nunca use gasolina ni otros disolventes inflamables para limpiar el filtro de aire. Debe usar únicamente detergente para el hogar para limpiar el filtro de aire.

Limpieza del filtro de aire

El filtro de aire debe limpiarse después de 50 horas de uso o cada 3 meses (se debe aumentar la frecuencia si el generador funciona en un entorno donde abunda el polvo).

1. Apague el generador y déjelo enfriar durante varios minutos si está en funcionamiento.
2. Mueva el generador hasta una superficie plana y nivelada.

3. Desenganche las presillas ubicadas arriba y abajo de la tapa del filtro de aire (vea la Figura 30) y remueva la tapa del filtro de aire.



Figura 30 – Remoción de la Tapa del Filtro de Aire

4. Remueva el elemento áspero negro ubicado en el exterior del filtro de aire (vea la Figura 31).



Figura 31 – Remoción del Elemento Áspero del Filtro de Aire

5. Remueva el elemento fino gris ubicado en el interior del filtro de aire (vea la Figura 32).



Figura 32 – Remoción del Elemento Fino del Filtro de Aire

6. Lave los elementos de espuma del filtro de aire sumergiéndolo en una solución de detergente para el hogar y agua caliente. Apriete lentamente la espuma hasta que quede completamente limpia.

AVISO

NUNCA tuerza o rasgue el elemento de espuma del filtro de aire durante la limpieza o el secado. Sólo debe apretarlo lenta pero firmemente.

7. Enjuáguela en agua limpia sumergiendo los elementos del filtro de aire en agua dulce y apretándolo lentamente.

AVISO

Nunca deseche la solución jabonosa usada para limpiar el filtro de aire arrojándola en un desagüe, en la tierra o en aguas subterráneas o vías fluviales. Siempre debe ser responsable con el medio ambiente. Siga los lineamientos de la EPA o de otras agencias gubernamentales para el desecho adecuado de materiales peligrosos. Consulte a las autoridades locales o las instalaciones de reciclado.

8. Deseche la solución jabonosa usada de manera adecuada.
9. Seque los elementos del filtro de aire apretándolo firmemente otra vez.
10. Una vez que los filtros de aire esté seco, cubra los filtros con aceite de motor limpio (vea la Figura 33).

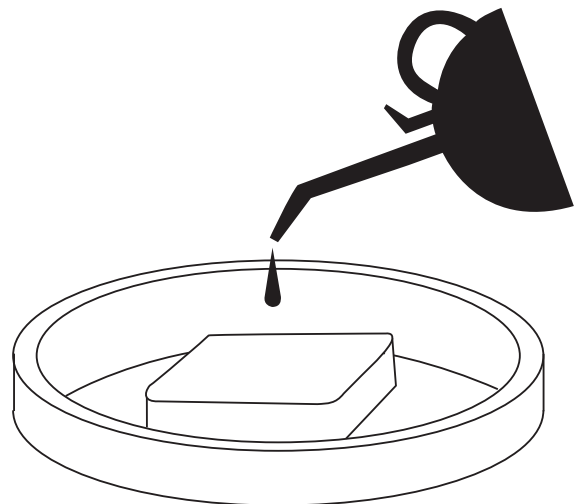


Figura 33

11. Exprima los filtros para remover el exceso de aceite (vea la Figura 34).

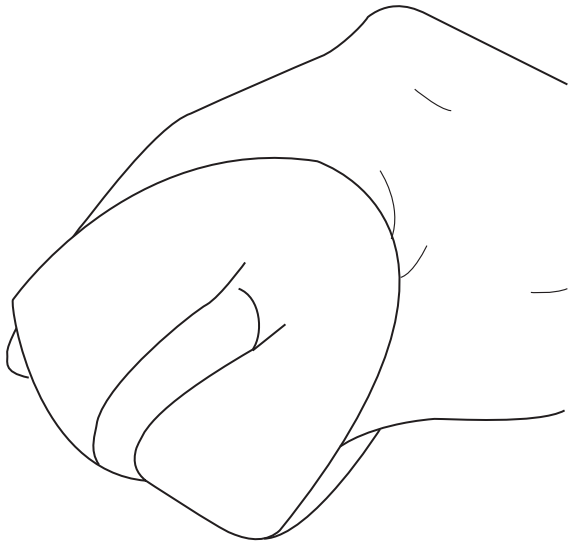


Figura 34

12. Instale primero el elemento gris fino del filtro de aire dentro de la carcasa del filtro de aire.
13. Instale el elemento áspero negro en la parte externa del filtro de aire encima del elemento de filtro fino.
14. Instale la tapa del filtro de aire enganchando las presillas arriba y abajo del ensamble del filtro de aire (vea la Figura 35).



Figura 35 – Instalación de la Tapa del Filtro de Aire

MANTENIMIENTO DE LA BUJÍA DE ENCENDIDO

Se debe controlar y limpiar la bujía de encendido cada 100 horas de uso o 6 meses y se la debe reemplazar después de 300 horas de uso o todos los años.

1. Detenga el generador y deje que se enfríe durante varios minutos si está en funcionamiento.
2. Traslade el generador hasta una superficie plana y nivelada.
3. Retire el capuchón de la bujía de encendido tirando firmemente de la manija plástica del capuchón de la bujía, alejándolo directamente del motor (vea la Figura 36)

AVISO

Nunca debe aplicar una carga lateral ni mover la bujía hacia los costados cuando extraiga la bujía. Si se aplica una carga lateral o se mueve la bujía hacia los costados se puede agrietar y se puede dañar el capuchón de la bujía.



Figura 36 – Procedimiento para retirar el capuchón de la bujía de encendido

4. Limpie la zona que rodea a la bujía de encendido.
5. Con la llave de cubo de 13/16" para bujías suministrada, retire la bujía de la cabeza del cilindro (vea la Figura 37).



Figura 37 – Procedimiento para extraer la bujía

6. Coloque una tela limpia sobre la abertura que se generó al extraer la bujía de encendido para asegurar que no pueda ingresar suciedad en la cámara de combustión.
7. Inspeccione la bujía de encendido para detectar:
 - Si el aislador está agrietado o astillado.
 - Si está excesivamente desgastada
 - Si la separación de la bujía de encendido es incorrecta (el límite que se acepta es de 0,024 – 0,032 pulgadas [0,60 – 0,80 mm]) (vea la Figura 38).

Si la bujía de encendido tiene algún problema en relación con las condiciones establecidas precedentemente, debe reemplazarla por una Champion RN9YC o equivalente.

AVISO

Sólo debe usar la bujía de encendido recomendada (Champion RN9YC o equivalente). Si se utiliza una bujía de encendido no recomendada se podría dañar el motor.

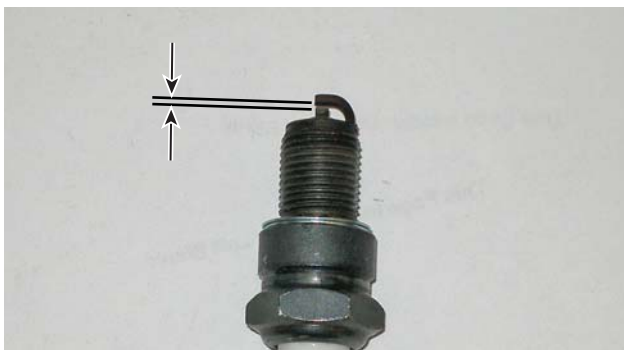


Figura 38 – Requisitos de separación de la bujía

8. Coloque la bujía de encendido siguiendo atentamente los pasos que se detallan a continuación:
 - a - Inserte con cuidado la bujía nuevamente dentro de la cabeza del cilindro. Enrosque manualmente la bujía hasta que sobresalga la base.
 - b - Con la llave de cubo de 13/16" para bujías suministrada, gire la bujía hasta asegurar que esté completamente asentada.
 - c - Vuelva a colocar el capuchón de la bujía, comprobando que se enganche completamente con la punta de la bujía.

Reemplazos de bujías recomendados:

AutoLite	63
Champion	RN9YC
Bosch	WR7DS
Torch	F6RTC

SERVICIO A LA BATERÍA

Para asegurarse de que la batería se mantenga cargada, el generador debe ser arrancado cada 2 ó 3 meses y operado durante un tiempo mínimo de 15 minutos. Si el generador es almacenado por más de un año sin hacerlo funcionar, pueda que sea necesario usar un cargador de batería para recargar la batería.

Reemplazo de la batería

1. Remueva el cable de la bujía de la bujía.
2. Afloje y remueva las tuercas de la placa de sujeción de la batería y retire la placa de las varillas de soporte (vea la Figura 39).

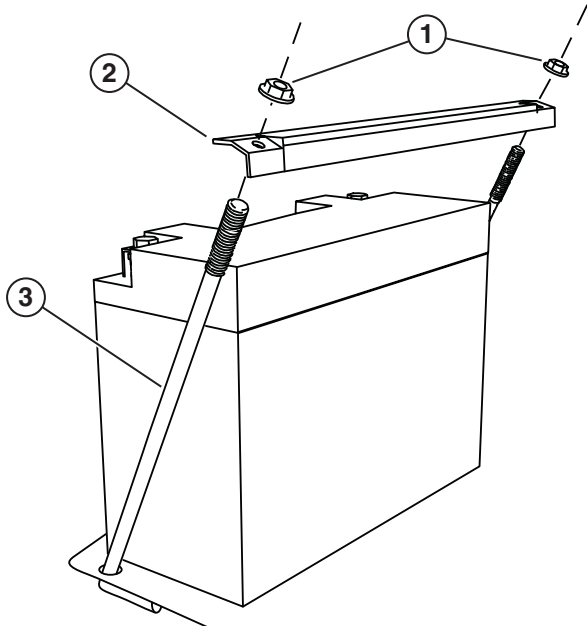


Figura 39

- 1 - Tuercas
 - 2 - Placa de sujeción de la batería
 - 3 - Varillas de soporte
3. Incline la batería ligeramente hacia adelante para obtener acceso a los cables de batería.
 4. Desconecte primero el cable de batería negativo (-) negro de la batería.
 5. Desconecte después el cable de batería positivo (+) rojo y retire la batería.

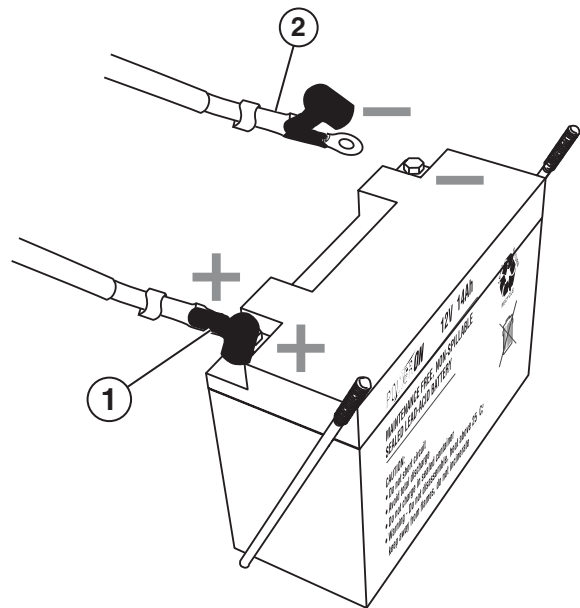


Figura 40

- 1 - Cable de batería positivo (+) rojo
- 2 - Cable de batería negativo (-) negro

AVISO

Deshágase apropiadamente de la batería usada de acuerdo con las normas establecidas por su gobierno local o estatal.

6. Instale la batería nueva en el marco del generador.
7. Conecte primero el cable de batería positivo (+) rojo en la batería.
8. Conecte después el cable de batería negativo (-) negro en la batería.
9. Instale la placa de sujeción de la batería usando las tuercas removidas en el paso 2.
10. Instale el cable de la bujía en la bujía.

La batería es la misma que la de una batería para motocicleta/utilitaria.

Tipo	14L-A2
Modelo	CYLA214SXTA
Voltios	12
Amp.	14
Dimensiones (L x A x A)	5.9 x 4.33 x 3.43 pul. (15,0 x 11,0 x 8,7 cm)

LIMPIEZA DEL AMORTIGUADOR DE CHISPAS

Controle y limpie el amortiguador de chispas después de 100 horas de uso o cada 6 meses.

1. Detenga el generador y deje que se enfríe durante varios minutos si está en funcionamiento.
2. Traslade el generador hasta una superficie plana y nivelada.
3. Con un destornillador de punta plana, afloje la abrazadera de banda del amortiguador de chispas (vea la Figura 41).

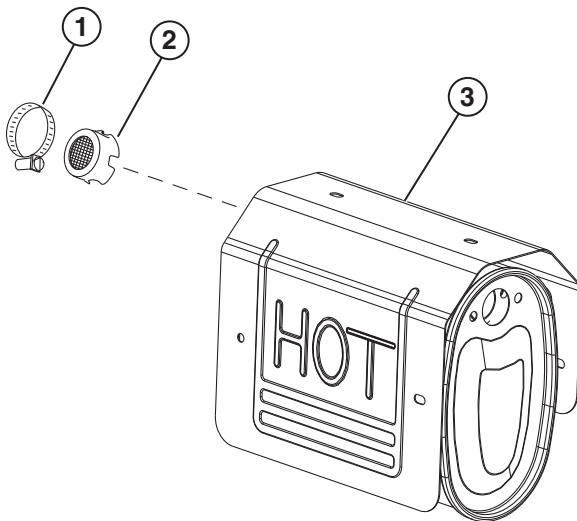


Figura 41 – Conjunto del amortiguador de chispas

- | | |
|---|-----------------|
| 1 - Abrazadera de banda del amortiguador de chispas | 3 - Silenciador |
| 2 - Pantalla del amortiguador de chispas | |
4. Deslice la abrazadera de banda del amortiguador de chispas fuera de la pantalla del amortiguador de chispas.
 5. Tire de la pantalla del amortiguador de chispas para sacarla del tubo de escape del amortiguador.
 6. Con un cepillo de alambre, elimine la suciedad y los residuos que se puedan haber acumulado en la pantalla del amortiguador de chispas.
 7. Si la pantalla del amortiguador de chispas presenta signos de desgaste (está rasgada o rota, o tiene grandes agujeros), debe reemplazarla.

8. Coloque los componentes del amortiguador de chispas en el siguiente orden:
 - a - Coloque la pantalla del amortiguador de chispas sobre el tubo de escape del silenciador. Presione la pantalla hasta que sobresalga completamente la base.
 - b - Coloque la abrazadera de banda del amortiguador de chispas sobre la pantalla y ajústela con un destornillador de punta plana.

LIMPIEZA DEL GENERADOR

Es importante inspeccionar y limpiar el generador antes de cada uso.

Limpie todos los orificios de entrada y salida de aire del motor. Compruebe que todos estos orificios estén limpios y no haya desechos o suciedad a fin de asegurar que el motor no funcione en HOT (caliente) (vea la Figura 42).



Figura 42 – Orificios de entrada y salida de aire del motor

Limpie todas las aletas de refrigeración del motor. Use una tela húmeda y un cepillo para aflojar y retirar toda la suciedad que haya sobre o alrededor de las aletas de refrigeración del motor (vea la Figura 43).

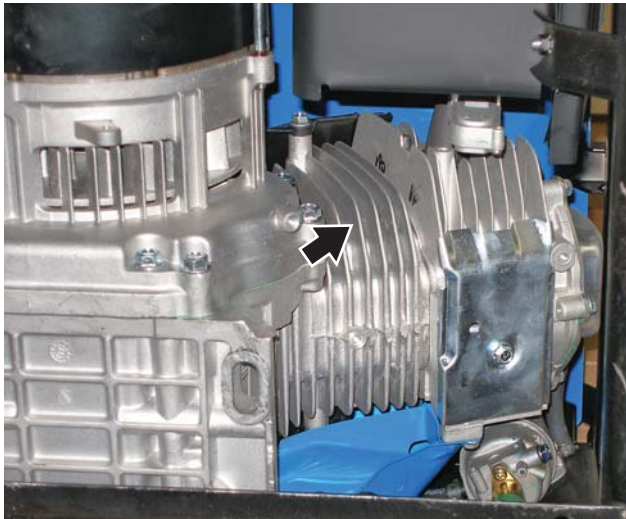


Figura 43 – Aletas de refrigeración del motor

Limpie todas las entradas de aire de refrigeración y todos los orificios de escape del alternador.

Compruebe que las entradas de aire de refrigeración y los orificios de escape del alternador estén libres de desechos y obstrucciones. Utilice una aspiradora para eliminar la suciedad y los residuos que estén trabados en las entradas de aire de refrigeración y los orificios de escape (vea la Figura 44 y Figura 45).

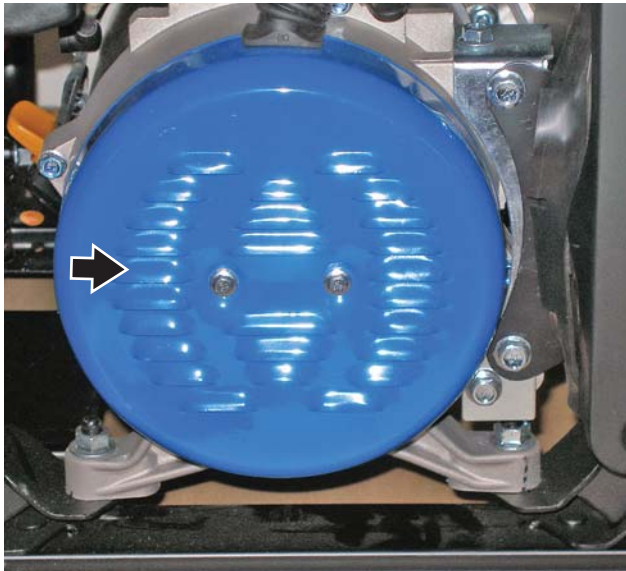


Figura 44 – Entrada de aire de refrigeración y orificio de escape del alternador

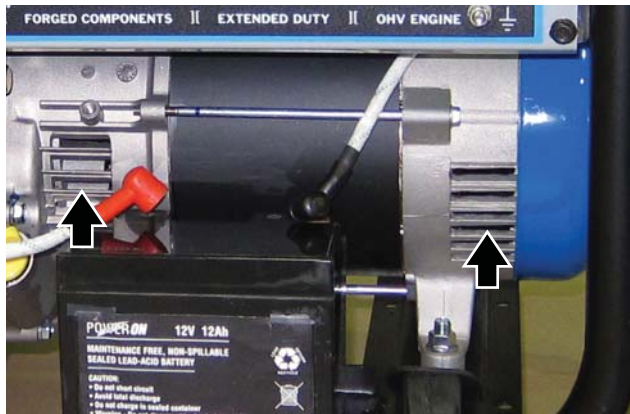


Figura 45 – Entrada de aire de refrigeración y orificio de escape del alternador

Limpieza general del generador: Utilice una tela húmeda para limpiar todas las superficies restantes.

ALMACENAMIENTO

⚠ ADVERTENCIA



Nunca almacene el generador con combustible en el depósito en interiores o en una zona con ventilación insuficiente en la que los humos puedan entrar en contacto con una fuente de ignición como: 1) luz piloto de una estufa, calentador de agua, secador de ropa o cualquier otro artefacto a gas; o 2) chispa de un artefacto eléctrico.

AVISO

La gasolina que se almacena por tan sólo 60 días puede echarse a perder, provocando la formación de goma, barniz y acumulación corrosiva en las líneas de combustible, los conductos de combustible y el motor. Esta acumulación corrosiva limita la circulación de combustible, lo que evita que el motor arranque después de un período de almacenamiento prolongado.

Se deben tomar precauciones adecuadas para preparar el generador para un almacenamiento.

1. Limpie el generador como se indica en *Limpieza del generador en la página 35*.
2. Drene toda la gasolina del depósito de combustible lo mejor posible.
3. Con la válvula de cierre del combustible abierta, encienda el motor y deje que el generador funcione hasta que se consuma la gasolina que haya quedado en las líneas de combustible y en el carburador y se apague el motor.
4. Cierre la válvula de cierre del combustible.
5. Cambie el aceite (*vea Procedimiento para cambiar el aceite del motor en la página 29*).
6. Retire la bujía de encendido (*vea Mantenimiento de la bujía de encendido en la página 32*) y coloque aproximadamente 1 cucharada de aceite en la abertura de la bujía. Mientras coloca una tela limpia sobre la abertura de la bujía de encendido, tire lentamente de la manija de retroceso para permitir que el motor gire varias veces. Así se distribuirá el aceite y se protegerá la pared del cilindro de la corrosión durante el almacenamiento.
7. Coloque nuevamente la bujía (*vea Mantenimiento de la bujía de encendido en la página 32*).
8. Traslade el generador a un lugar limpio y seco para almacenarlo.

SOLUCIÓN DE PROBLEMAS

SOLUCIÓN DE PROBLEMAS

ADVERTENCIA



Antes de intentar realizar el servicio o detectar los problemas del generador, el propietario o el técnico de servicios deben leer primero el manual del propietario y comprender y respetar todas las instrucciones de seguridad. Si no se respetan todas las instrucciones, se pueden generar condiciones que pueden provocar la anulación de la certificación de la EPA o de la garantía del producto, lesiones personales graves, daños a la propiedad o incluso la muerte.

PROBLEMA	CAUSA POSIBLE	SOLUCIÓN
El motor está en funcionamiento pero no hay salida de energía eléctrica.	1. Los disyuntores se activaron.	1. Reponga los disyuntores y controle si hay una condición de sobrecarga (<i>vea las páginas 23 y 25</i>).
	2. El conector de clavija del cable de suministro no está completamente conectado en el tomacorriente del generador.	2. Controle que el conector de clavija esté firmemente conectado en el tomacorriente del generador. Si usa el tomacorriente de 240 V, compruebe que el conector de clavija esté girado 1/4 de giro en el sentido de las agujas del reloj.
	3. El cable de suministro presenta una falla o está defectuoso.	3. Reemplace el cable de suministro.
	4. El artefacto eléctrico presenta una falla o está defectuoso.	4. Intente conectar un artefacto que sabe que funciona correctamente para verificar que el generador produce energía eléctrica.
	5. Si después de intentar con los pasos 1 a 4 precedentes no se soluciona el problema, la causa podría ser una falla en el generador.	5. Lleve el generador al distribuidor de servicio autorizado más cercano.

SOLUCIÓN DE PROBLEMAS

PROBLEMA	CAUSA POSIBLE	SOLUCIÓN
El motor no enciende o sigue funcionando mientras trata de encenderlo.	1. La válvula de cierre del combustible está en la posición OFF (apagado) .	1. Mueva la válvula de cierre del combustible hasta la posición ON (encendido) (vea las páginas 24 y 25).
	2. Se agotó la gasolina del generador.	2. Agregue gasolina al generador (vea la página 23).
	3. La circulación de combustible está obstruida.	3. Inspeccione y limpie los conductos de suministro de combustible.
	4. La unidad se cebó en exceso.	4. Mueva la palanca del cebador hasta que quede en el medio entre las posiciones ON (encendido) y OFF (apagado) (vea las páginas 24 y 26).
	5. La carga de la batería de arranque puede ser insuficiente.	5. Únicamente para los modelos con arranque eléctrico. Controle la potencia de salida de la batería y cárguela según sea necesario.
	6. El filtro de aire está sucio.	6. Controle y limpie el filtro de aire (vea las páginas 30-32).
	7. El interruptor de desconexión por nivel bajo de aceite no permite encender la unidad.	7. Controle el nivel de aceite y agregue más si es necesario (vea las páginas 28 y 29).
	8. El capuchón de la bujía de encendido no está completamente conectado con la punta de la bujía.	8. Presione firmemente el capuchón de la bujía de encendido para comprobar que esté completamente conectado (vea las páginas 32 y 34).
	9. La bujía de encendido está defectuosa.	9. Retire y controle la bujía de encendido. Reemplácela si está defectuosa (vea las páginas 32-34).
	10. El amortiguador de chispas está sucio/obstruido.	10. Controle y limpie el amortiguador de chispas (vea las páginas 33 y 34).
	11. El combustible está viejo.	11. Drene el combustible y reemplácelo con combustible nuevo (vea las páginas 22 y 23).
	12. Si después de intentar con los paso 1 a 11 precedentes no se soluciona el problema, la causa podría ser una falla en el generador.	12. Lleve el generador al distribuidor de servicio autorizado más cercano.
El motor dejó de funcionar de manera repentina.	1. Se agotó el combustible del generador.	1. Controle el nivel de combustible (vea las páginas 22 y 23). Agregue combustible si es necesario.
	2. El interruptor de desconexión por nivel bajo de aceite ha parado el motor.	2. Controle el nivel de aceite y agregue más si es necesario (vea las páginas 28 y 29).
	3. La carga es excesiva	3. Restablezca el generador y reduzca la carga.
	4. Si después de intentar con los paso 1 a 3 precedentes no se soluciona el problema, la causa podría ser una falla en el generador.	4. Lleve el generador al distribuidor de servicio autorizado más cercano.

SOLUCIÓN DE PROBLEMAS

PROBLEMA	CAUSA POSIBLE	SOLUCIÓN
El motor funciona de manera errática, no mantiene RPM constantes.	1. Se dejó el cebador en la posición ON (encendido) .	1. Mueva el cebador a la posición OFF (apagado) (vea las páginas 24 y 26).
	2. El filtro de aire está sucio.	2. Limpie el filtro de aire (vea las páginas 30-32).
	3. Las cargas aplicadas alternan entre encendido y apagado	3. Mientras las cargas aplicadas alternan, se pueden producir cambios en la velocidad del motor; es una condición normal.
	4. Si después de intentar con los paso 1 a 3 precedentes no se soluciona el problema, la causa podría ser una falla en el generador.	4. Lleve el generador al distribuidor de servicio autorizado más cercano.

GARANTÍA LIMITADA DE “TRES AÑOS” DE WESTPRO POWER SYSTEMS

Vigente al 1 de julio de 2011

RESPONSABILIDAD DE WESTPRO

Westpro Power Systems, LLC (“WESTPRO”) garantiza al comprador original que la línea Westinghouse de generadores estará libre de defectos en los materiales y la mano de obra. En condiciones normales de uso y mantenimiento a partir de la fecha de la compra, WESTPRO acuerda reparar o reemplazar, a criterio de WESTPRO, cualquier producto defectuoso sin cargo en cualquier Distribuidor de Servicio Autorizado WESTPRO que esté dentro de las aplicaciones, los períodos, las limitaciones y las exclusiones que se mencionan a continuación. LA GARANTÍA LIMITADA SE EXTIENDE ÚNICAMENTE AL COMPRADOR ORIGINAL Y NO SE PUEDE TRANSFERIR A LOS PROPIETARIOS POSTERIORES EXCEPTO PARA LAS PIEZAS RELACIONADAS CON LAS EMISIONES. Esta garantía es independiente de la declaración de garantía del control de emisiones que se suministra con el producto nuevo. Consulte la declaración de garantía del control de emisiones para obtener información sobre las piezas relacionadas con las emisiones. Para obtener una lista de los Distribuidores de Servicio Autorizados WESTPRO consulte www.westpropower.com o llame al 1-855-944-3571.

RESPONSABILIDAD DEL PROPIETARIO

Para asegurar la cobertura sin problemas de la garantía es importante que registre el generador WESTPRO Westinghouse. Puede registrarlo en línea en www.westpropower.com, por línea de teléfono automática al 1-855-944-3571, o completando y regresando a WESTPRO la tarjeta de registro de la garantía que se suministró con el generador. El registro del producto confirma la cobertura de la garantía y establece una relación directa entre usted y WESTPRO, por si necesitamos comunicarnos con usted.

El recibo de compra que incluye la fecha, el modelo y el número de serie debe guardarse y presentarse ante el Distribuidor de Servicio Autorizado WESTPRO para obtener el servicio de la garantía. El comprobante de la compra le corresponde únicamente a usted, el comprador original.

Usted debe demostrar que el uso y el cuidado del producto fueron razonables y debe tomar las medidas de mantenimiento preventivo, almacenamiento y uso de combustible y aceite que se establecen en las indicaciones del manual del operador para la unidad WESTPRO Westinghouse. Si surge una dificultad con el producto, usted debe, por su cuenta, entregar o enviar la unidad WESTPRO Westinghouse a nuestro Distribuidor de Servicio Autorizado WESTPRO para las reparaciones de la garantía (lo que debe hacerse durante el período aplicable de la garantía) y disponer la recolección o devolución de la unidad después de que se hayan realizado las reparaciones. Para saber cuál es el Distribuidor de Servicio Autorizado WESTPRO que está más cerca de su ubicación, llame a la línea telefónica automática al 1-855-944-3571 o puede encontrar un Distribuidor de Servicio Autorizado WESTPRO en www.westpropower.com. Si necesita ayuda o si tiene preguntas en relación con la Declaración de Garantía de WESTPRO, puede comunicarse con nosotros a través de la Web en www.westpropower.com o llamando al 1-855-944-3571.

APLICACIONES Y PERÍODOS DE LA GARANTÍA DEL PRODUCTO

APLICACIÓN PARA EL CONSUMO

A los fines de esta garantía limitada “Aplicación de consumo” se refiere al uso por parte del comprador original para su residencia personal o para recreación.

Las piezas y la mano de obra estarán cubiertas al 100% durante un período de un (1) año a partir de la fecha de la compra.

Únicamente las piezas estarán cubiertas al 100% durante un período de tres (3) años a partir de la fecha de la compra.

Si no está disponible un comprobante de la compra para establecer la fecha de la misma ni se registró el equipo como se sugirió en el presente documento, la fecha de fabricación registrada por WESTPRO se considerará que es el inicio del período de la garantía del producto.

APLICACIÓN COMERCIAL

A los fines de esta garantía limitada “Aplicación comercial” se refiere al uso por parte del comprador original para obtener un ingreso, uso relacionado con los negocios. Una vez que el generador se haya usado para obtener un ingreso y para un uso relacionado con los negocios, se considerará que tiene una “Aplicación comercial” y se aplicará la siguiente garantía.

Las piezas y la mano de obra estarán cubiertas al 100% durante un período de un (1) año a partir de la fecha de la compra.

Si no está disponible un comprobante de la compra para establecer la fecha de la misma ni se registró el equipo como se sugirió en el presente documento, la fecha de fabricación registrada por WESTPRO se considerará que es el inicio del período de la garantía del producto.

APLICACIONES NO GARANTIZABLES

SE RECOMIENDA EXPRESAMENTE NO USAR LA LÍNEA DE GENERADORES WESTPRO WESTINGHOUSE PARA LAS SIGUIENTES APLICACIONES PARA LAS CUALES NO ESTÁ GARANTIZADA:

Usos médicos y de soporte vital. Se recomienda no usar este producto para el accionamiento de equipos o dispositivos médicos y de soporte vital y NO está garantizado para dichos usos.

Potencia principal. Esta garantía no se aplica a los generadores que se utilicen como fuente de potencia principal en lugar de la alimentación de la red general habiendo un servicio de energía de la red general disponible o de que no lo hubiera de manera habitual, independientemente de que se relacione con una Aplicación de consumo o una Aplicación comercial.

EXCLUSIONES

- Los generadores portátiles WESTPRO que utilizan piezas de reemplazo que no son WESTPRO.
- Los costos del mantenimiento y los ajustes normales.
- Las fallas ocasionadas por combustibles contaminados, aceites o la falta de niveles adecuados de aceite.
- Las reparaciones o los diagnósticos realizados por personas que no son distribuidores WESTPRO autorizados por escrito por WESTPRO.
- Las fallas ocasionadas por el desgaste normal, accidentes, uso indebido, abuso, negligencia o uso inadecuado. Como todos los dispositivos mecánicos, los motores WESTPRO necesitan un servicio y reemplazo periódico de las piezas para que funcionen conforme a su diseño. Esta garantía no cubrirá la reparación cuando el uso normal haya agotado la vida útil de una pieza o un motor.
- Las fallas ocasionadas por una causa externa o un hecho fortuito, incluidos por ejemplo, choque, robo, vandalismo, disturbios, guerra, incendio, congelamiento, rayos, terremoto, tormenta de viento, granizo, agua, inundación, tornado o huracán.
- Daños relacionados con una plaga de roedores y/o insectos.
- Los productos que han sido modificados o alterados de manera no autorizada por escrito por WESTPRO.
- Los daños incidentales, resultantes o indirectos ocasionados por defectos en los materiales o la mano de obra, o la demora en la reparación o el reemplazo de las piezas defectuosas.
- Las fallas ocasionadas por usar la unidad para aplicaciones incorrectas.
- Los gastos de teléfono, telefonía celular, facsímil, acceso a internet u otros gastos de comunicación.
- Los gastos relacionados con las “instrucciones del cliente” o la detección de problemas cuando no se encuentran defectos de fabricación.
- Los costos de transporte nocturno o de envío especial para el reemplazo de piezas.
- Los pagos de horas extras, feriados o trabajos de urgencia.
- Las baterías de arranque, los fusibles, las lámparas y los líquidos para motor.

EXCLUSIONES DE GARANTÍAS IMPLÍCITAS

Esta garantía reemplaza a todas las demás garantías expresas o implícitas, incluidas las garantías de ADECUACIÓN PARA UN PROPÓSITO O USO PARTICULAR y las garantías implícitas de COMERCIALIZACIÓN que se aplican de otro modo a la línea de generadores Westinghouse de WESTPRO. WESTPRO y sus compañías afiliadas no serán responsables por ningún daño especial, incidental o resultante, incluida la pérdida de ganancias. No se extienden otras garantías que las que se establecen en el presente documento. Únicamente WESTPRO puede modificar esta garantía limitada. Las garantías implícitas que permite la ley tendrán una duración limitada conforme a las condiciones de la garantía expresa establecida en el presente documento. En algunos estados no se permiten las limitaciones a la duración de una garantía implícita, por lo que es posible que la limitación precedente no sea aplicable en su caso. En algunos estados no se permite la exclusión o la limitación de los daños incidentales o resultantes, por lo que es posible que la limitación precedente no sea aplicable en su caso. Esta garantía le otorga derechos legales específicos. Además, cuenta con otros derechos que varían de un estado a otro. LA ÚNICA RESPONSABILIDAD DE WESTPRO SERÁ LA REPARACIÓN O EL REEMPLAZO SEGÚN LO ESTABLECIDO PRECEDENTEMENTE. EN NINGÚN CASO WESTPRO SERÁ RESPONSABLE POR DAÑOS INCIDENTALES O RESULTANTES, INCLUSO SI TALES DAÑOS SE PRODUCEN COMO RESULTADO DIRECTO DE LA NEGLIGENCIA DE WESTPRO. En algunos estados no se permite la exclusión o la limitación de los daños incidentales o resultantes, por lo que es posible que la limitación precedente no sea aplicable en su caso. Esta garantía le otorga derechos legales específicos y también puede contar con otros derechos que varían de un estado a otro.

Westpro Power Systems, LLC, W237 N2889 Woodgate Rd. Unit B, Pewaukee, WI 53072, otorga esta garantía limitada.



Owner's Manual

Models: WH3250 Series
WH4500 Series
WH5500 Series
WH6000 Series
WH6500E
WH7000 Series
WH7500E Series

Westpro Power Systems, LLC
W237 N2889 Woodgate Road, Unit B
Pewaukee, WI 53072 USA
www.westpropower.com
Toll Free (855) 944-3571

February 15, 2014

© 2014

 WESTINGHOUSE, and INNOVATION YOU CAN BE SURE OF are trademarks of Westinghouse Electric Corporation. Used under license by Westpro Power Systems.

